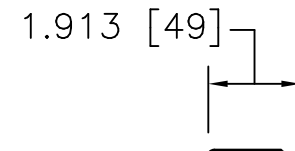
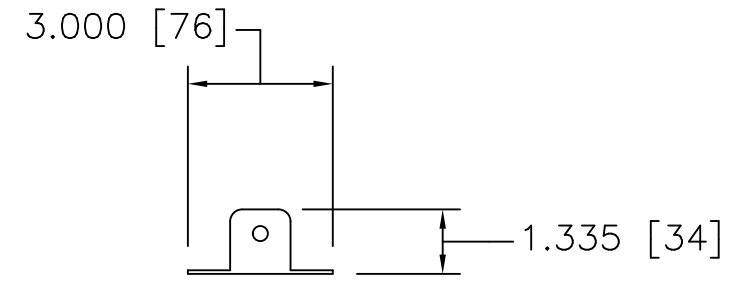


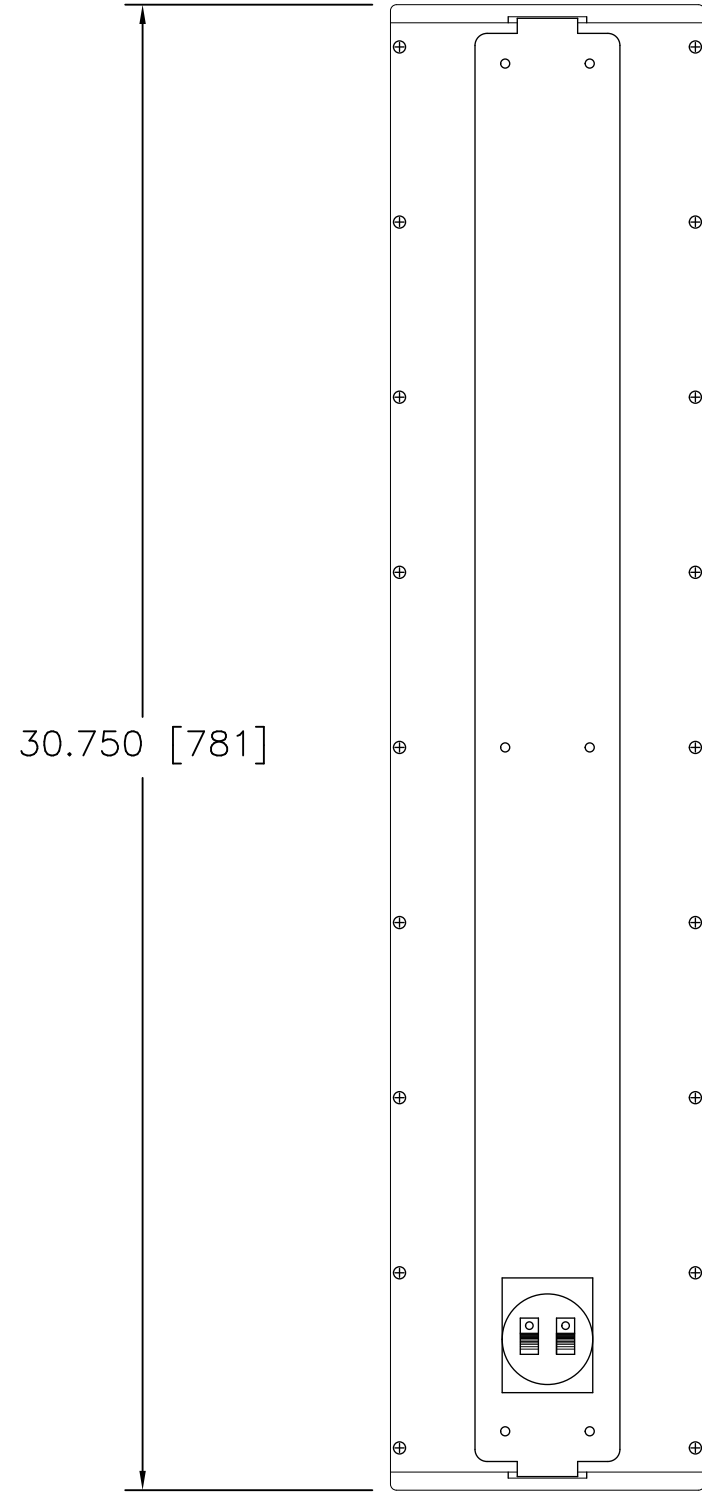
END



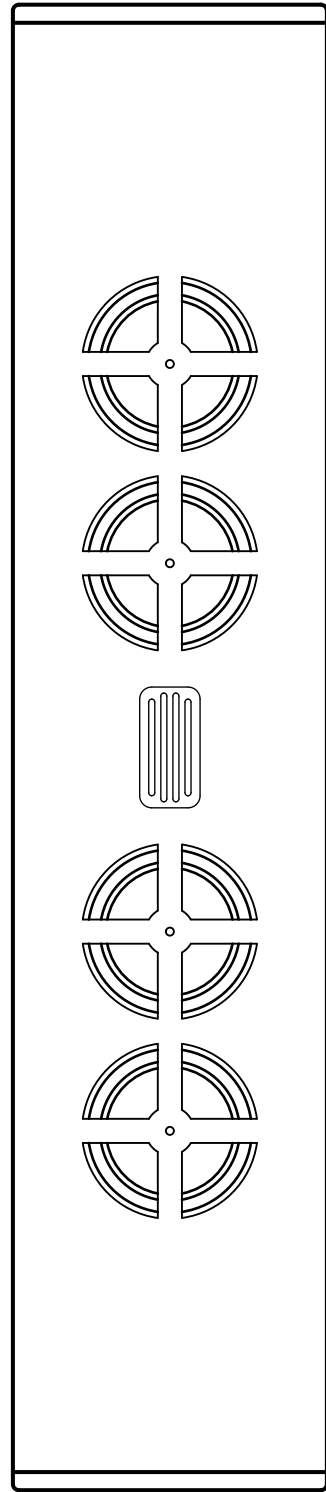
SIDE



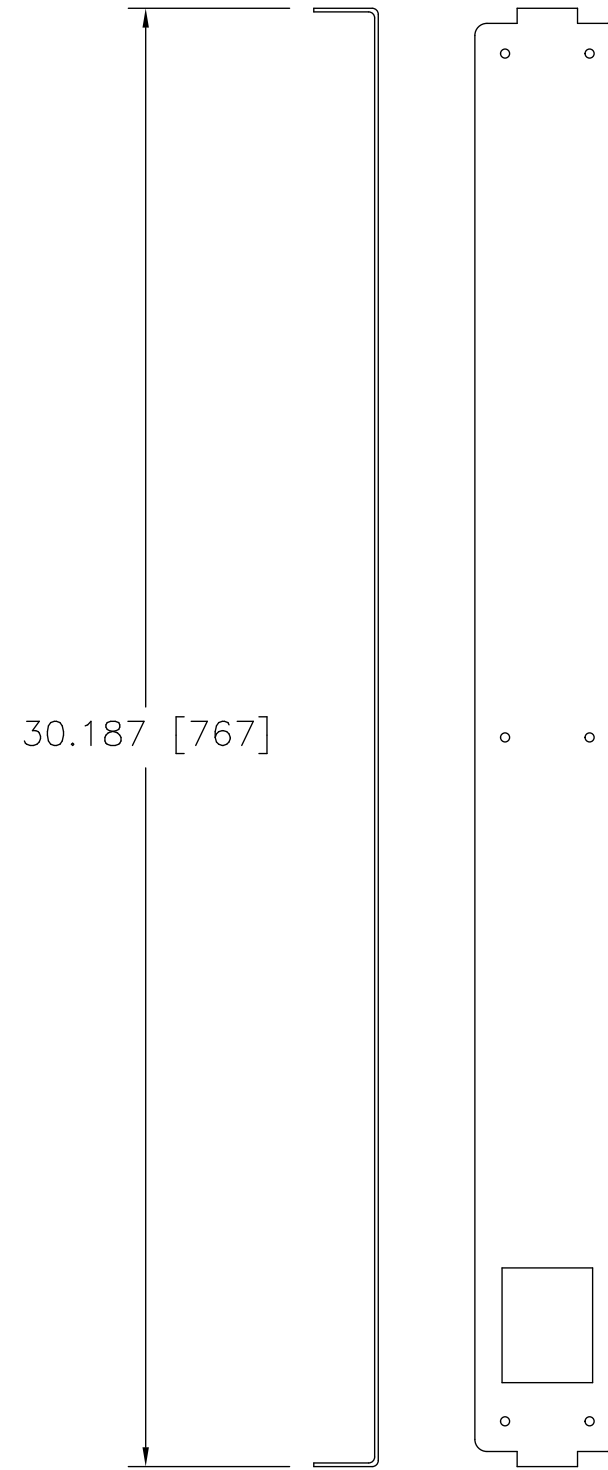
Mounting
Bracket

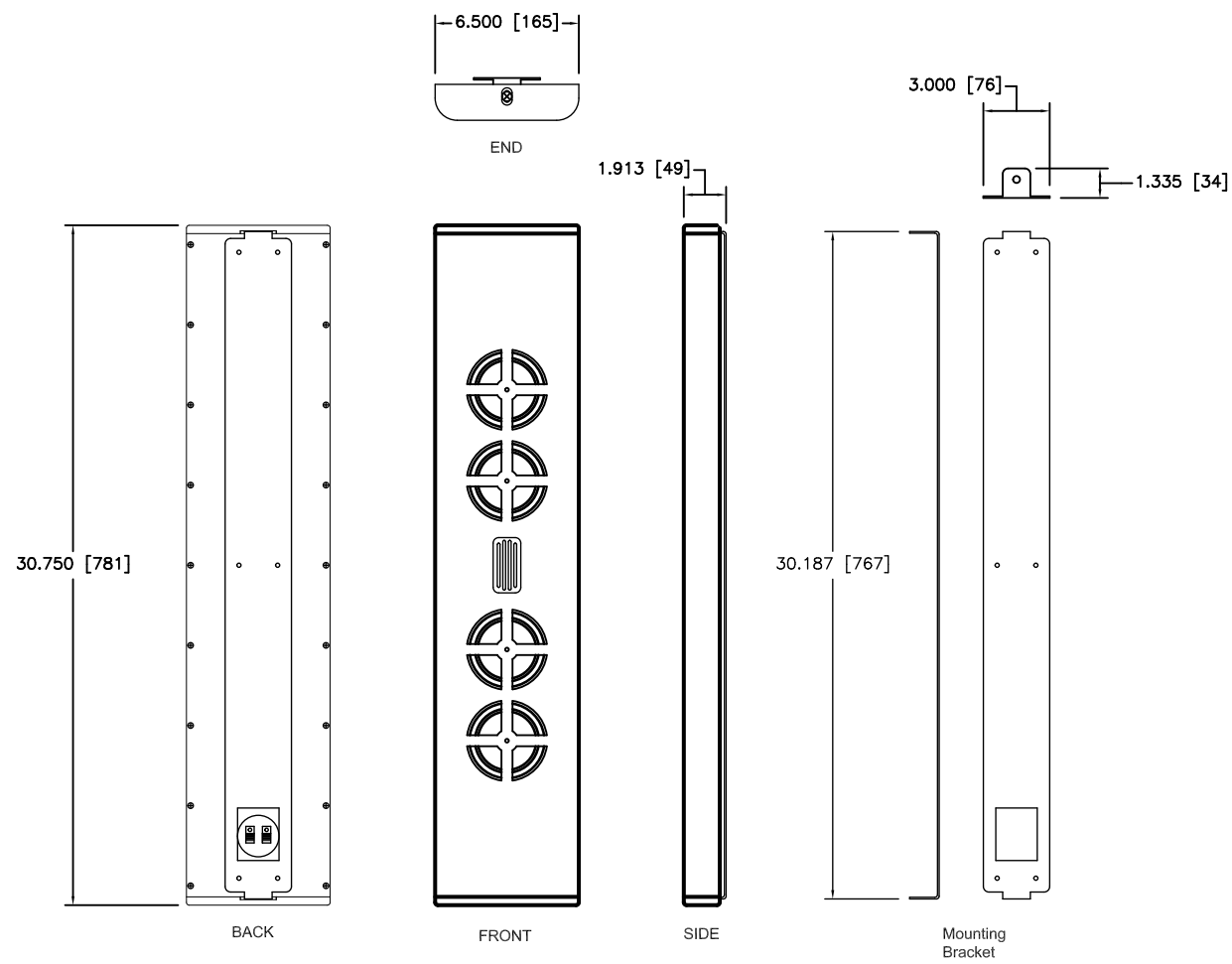


BACK



FRONT

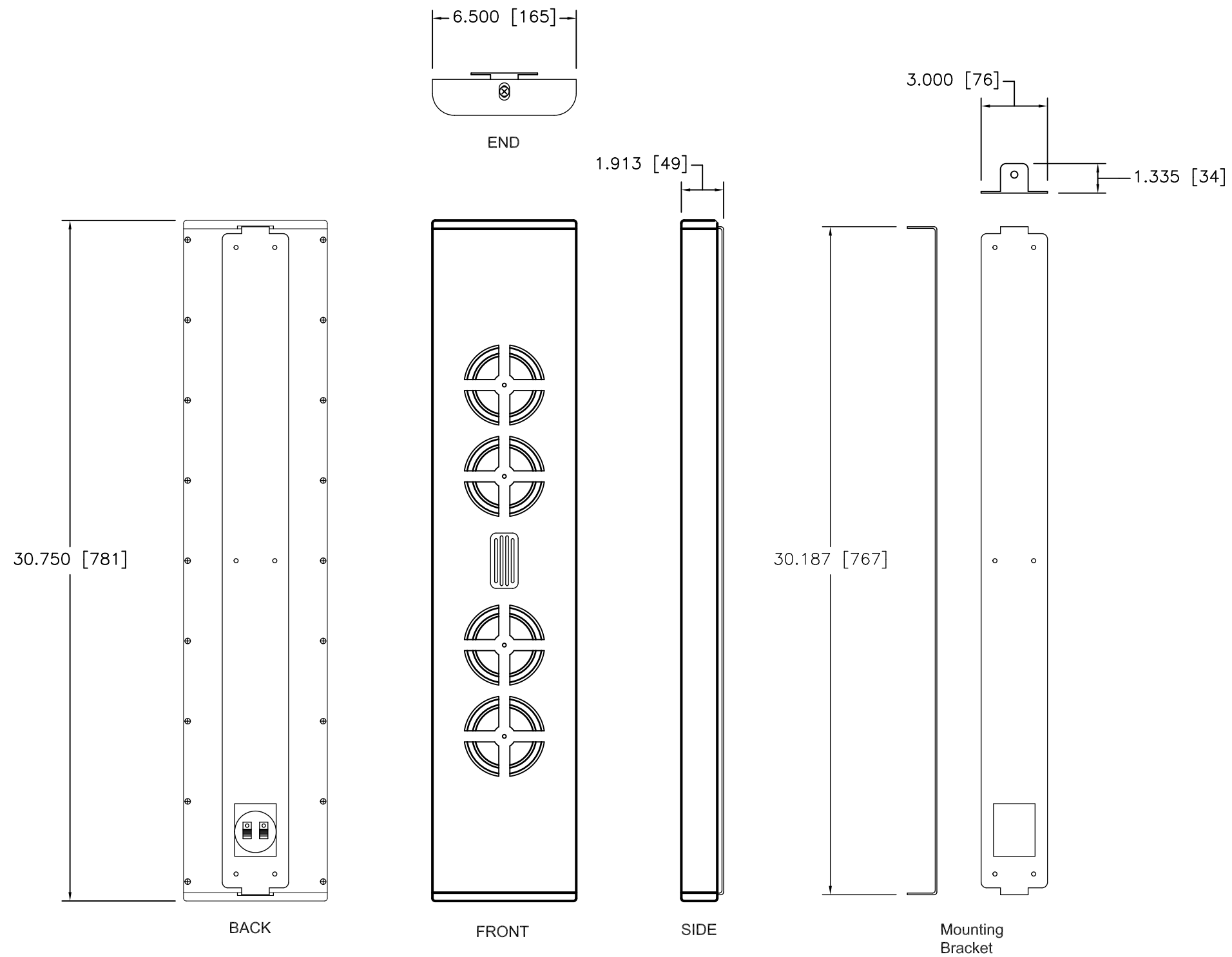




296 Pascal Street N.
St. Paul, MN 55104
Tel: (651) 209-7660
Fax: (651) 209-7663

Model		SL-4.1 US w/ Mounting Bracket	
Dwg	SL-4.1US_w-Brkt_R0.dwg	Author	DS
Date	10/7/09	Revision	0

Unless otherwise specified all dimensions are: Inches [mm] Tolerance = ±0.100 inch angles ±1° All content copyright © INNOVOXAUDIO.LLC. 2012



296 Pascal Street N.
St. Paul, MN 55104
Tel: (651) 209-7660
Fax: (651) 209-7663

Model		SL-4.1 US w/ Mounting Bracket	
DWG.	SL-4.1US_w-Brkt_R0.dwg	Author	DS
Date	10/7/09	Revision	0