

DESCRIPTION

The **HLA-20** is a hybrid integration for tri-amplification of a twenty element J-array loudspeaker and a two-stage dipole directional mid-bass and low frequency loudspeaker. The J-array portion contains twenty 3.5" mid-frequency drivers and twenty ribbon high frequency drivers. The MF dipole has eight 6" mid-bass drivers, and the LF dipole has two 15" high output low frequency drivers. This unique staged configuration provides a degree of vertical control normally only achievable with a much longer line array.

It has been preconfigured in an asymmetrical 35°V by 120°H coverage pattern with vertical directivity to 75 Hz, and low frequency response to 50 Hz. A single HLA-20 can provide full range coverage of both the front row and seats as far as 100 feet away with exceptional clarity and detail. Frequency response is 50 Hz to 20kHz, ±3 dB. Long term power handling is M/H 1500W (AES-2), LF 3000W (AES-2). Maximum SPL is 132 dB long-term and 138 dB peak.

KEY FEATURES:

- asymmetrical 35° V x 120° H coverage
- vertical control to 75 Hz via staged dipole
- -3 dB low frequency response 50 Hz
- effective projection to 100 feet

APPLICATIONS:

- churches
- large presentation spaces
- performing arts centers



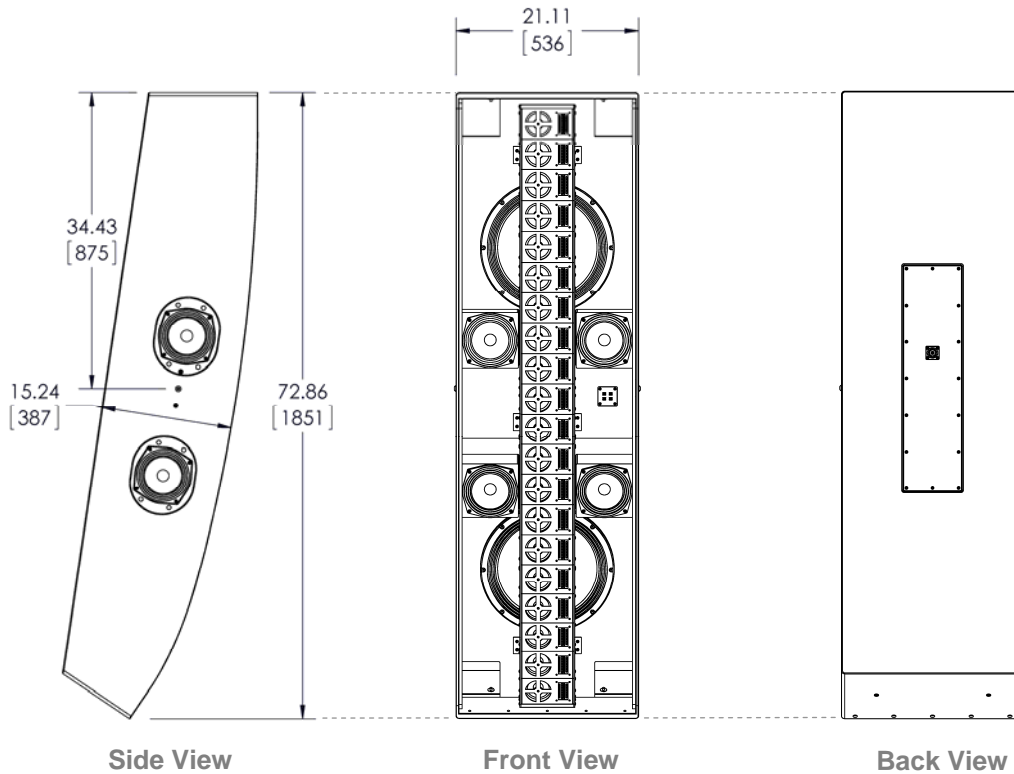
NOMINAL DATA

Frequency Response	50 Hz to 20k Hz, ± 3 dB
Sensitivity	101 dB @ 2.83V / 1M
Impedance	Mid-Hi – 8Ω / Mid-Bass – 4Ω / LF – dual 8Ω
Power Handling	M/H: 1500 W long-term (AES-2) LF: 3000 W long-term (AES-2)
Maximum Output	132 dB long-term, 138 dB peak
Nominal Coverage	120° H x 35° V
Dimensions	height: 72.86" / 1851 mm width: 21.13" / 537 mm depth: 15.00" / 381 mm
Net Weight	200 lbs / 90.9 kg
Shipping Weight	230 lbs / 104.5 kg

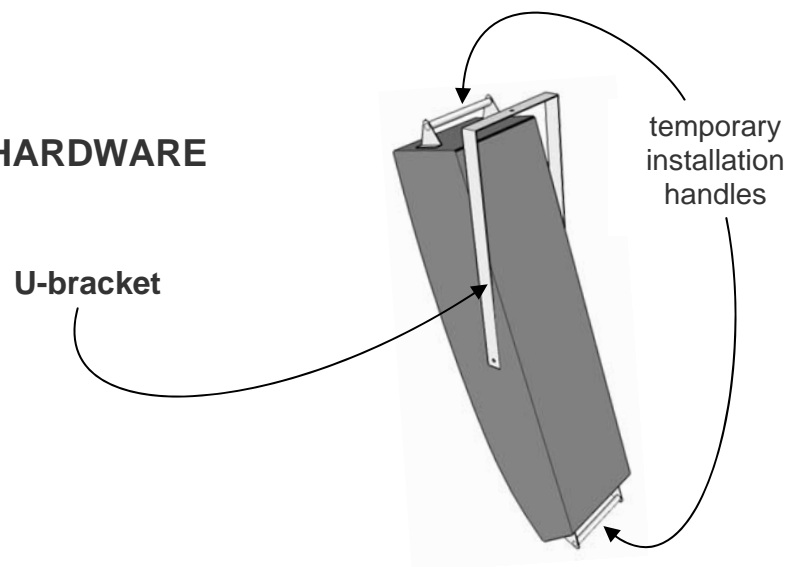
DESCRIPTIVE DATA

System Configuration	Tri-amped hybrid integration of a curvilinear M/H line array and a staged low frequency dipole
Components & Loading	20 x 3.5" MF 20 x 3" Ribbon HF 8 x 6" Mid-Bass drivers 2 x 15" LF drivers
Recommended Crossover	Innovox DSP processor settings
Recommended High-Pass Filter	4 th order Butterworth @ 40 Hz
Enclosure Type	Curvilinear array: sealed enclosure Dipole LF: tuned reflex enclosure
Enclosure Material	Steel, Aluminum & Baltic Birch Plywood
Finish	White or Black (custom colors available)
Connectors	NL8 & (4) dual binding head screws
Suspension Hardware	(2) 3/8-16 threaded points on each side; steel yoke included
Grille	Painted perforated steel

DIMENSIONAL DRAWINGS



INCLUDED HARDWARE





AMERICAN LOUDSPEAKER INNOVATION

Hybrid Line Array™ Series –

HLA-20P

Powered HLA – with On-Board DSP

DESCRIPTION

The **HLA-20P** is a hybrid triamplified integration of a twenty element J-array loudspeaker and dipole directional low frequency loudspeakers. It is powered by four internal 1500W amplifiers with on-board DSP. The J-array portion contains twenty 3.5" mid-frequency drivers and twenty ribbon high frequency drivers. The dipole has eight 6.5" mid-bass drivers and two 15" high output low frequency drivers, in a unique staged configuration to extend vertical LF control.

It has been preconfigured in an asymmetrical 35°V by 120°H coverage pattern with vertical directivity to 75 Hz, and low frequency response to 50 Hz. A single HLA-20P can provide full range coverage of both the front row and seats as far as 100 feet away with exceptional clarity and detail. Frequency response is 50 Hz to 20kHz, ±3 dB. Maximum SPL is 132 dB long-term and 138 dB peak.

KEY FEATURES:

- asymmetrical 35° V x 120° H coverage
- vertical control to 75 Hz via staged dipole
- power & DSP by Powersoft®
- -3 dB low frequency response 50 Hz
- effective projection to 100 feet

APPLICATIONS:

- churches
- lecture halls
- presentation spaces



NOMINAL DATA

Frequency Response	50 Hz to 20k Hz, ± 3 dB
Power	M/H: 1500W RMS MB: 1500W RMS LF: 1500W RMS (2x)
Maximum Output	132 dB long-term, 138 dB peak
Nominal Coverage	120° H x 35° V
Dimensions	height: 72.86" / 1851 mm width: 21.13" / 537 mm depth: 15.00" / 381 mm
Net Weight	207 lbs / 94.1 kg
Shipping Weight	237 lbs / 107.7 kg

DESCRIPTIVE DATA

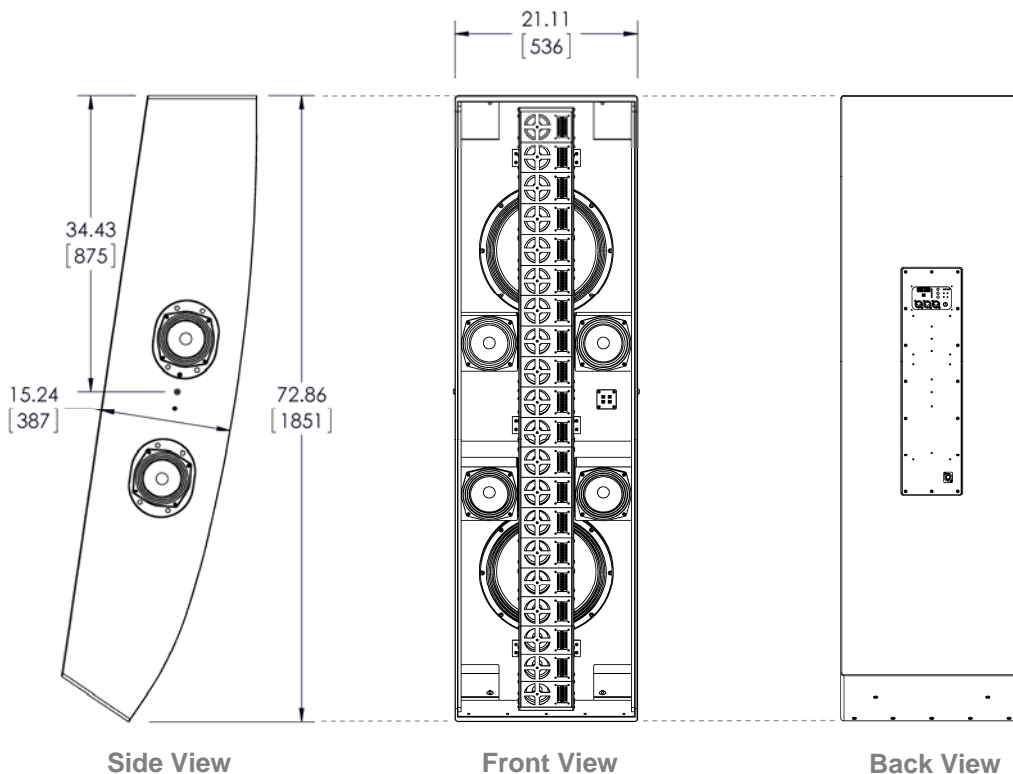
System Configuration	Triamped hybrid integration of a curvilinear M/H line array and a staged low frequency dipole
Components & Loading	20 x 3.5" MF 20 x 3" Ribbon HF 8 x 6.5" Mid-Bass drivers 2 x 15" LF drivers
Input	AES-3 (XLR & RJ45), Balanced line level with XLR & XLR loop-through connectors
Enclosure Type	Curvilinear array: sealed enclosure Dipole LF: tuned reflex enclosure
Enclosure Material	Steel, Aluminum & Baltic Birch Plywood
Finish	White or Black (custom colors available)
Suspension Hardware	(2) 3/8-16 threaded points on each side; steel yoke included
Grille	Painted perforated steel

296 North Pascal Street
Saint Paul MN 55104

innovoxaudio.com

PROUDLY MADE IN THE U.S.A.

DIMENSIONAL DRAWINGS



INCLUDED HARDWARE

