



AMERICAN LOUDSPEAKER INNOVATION

Articulation Extension Tools –

AE-MicroLift

DESCRIPTION

The AE-MicroLift is an ultra-slim 2-way loudspeaker designed to be surface-mounted on table tops, pew backs or flat on a wall. It employs a precision Air Motion Transformer HF driver and a 2.5" long-excursion mid bass driver to deliver the exceptional definition and the voice clarity of face to face communication.

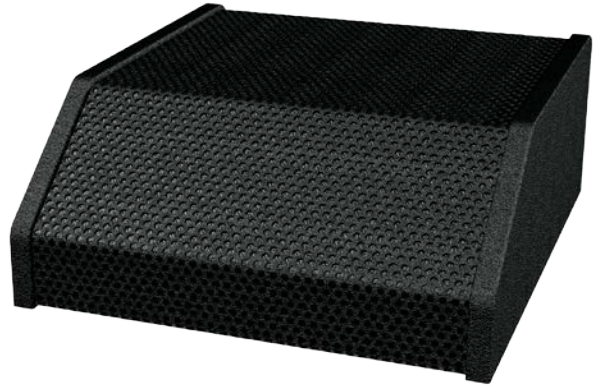
Two AE-MicroLifts can be combined with an available Innovox micro subwoofer, to extend LF frequency response to 50 Hz and create an ultra-compact 2.1 system.

KEY FEATURES:

- Enclosure geometry optimized for ultra-slim profile (only 2.19" high)
- Exceptional transient response
- 130° H x 130° V coverage
- Hidden mounting bracket

APPLICATIONS:

- High Definition Voice Lift
- Church pew backs
- Courtroom systems
- Spot fills & articulation extension
- Very compact 2.1 System when used in combination with micro subwoofer



NOMINAL DATA

Frequency Response	150 – 20,000 Hz ± 3 dB
Sensitivity	85.3 dB @ 2.83 volts / 1M
Impedance	4Ω
Power Handling	20 W long term AES-2
Maximum Output	98 dB long term / 101 dB peak @ 1 meter on axis
Nominal Coverage Angles	130° H x 130° V
Dimensions	height: 2.19 " / 56 mm width: 5.50 " / 140 mm depth: 5.80 " / 147 mm
Net Weight	1.8 lbs / 0.8 kg
Shipping Weight	3.0 lbs / 1.4 kg

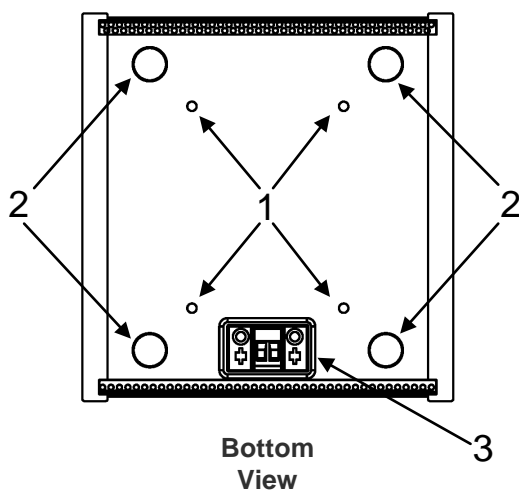
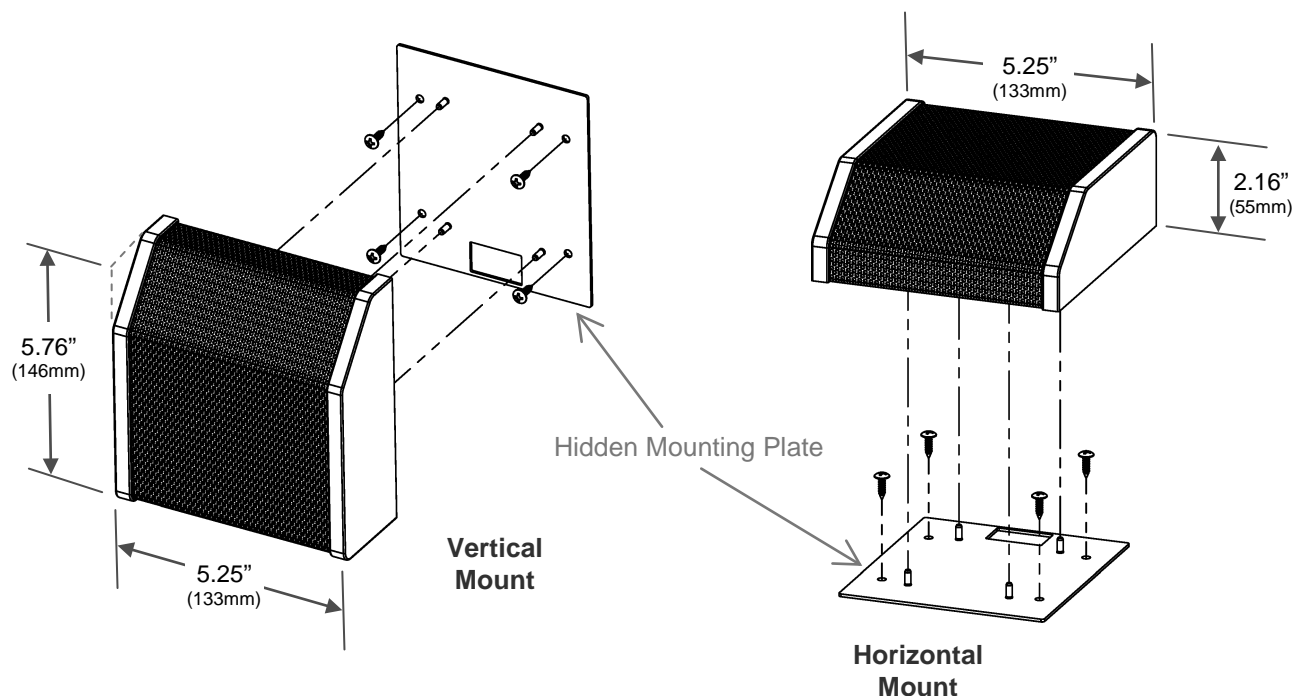
DESCRIPTIVE DATA

System Configuration	Low profile 2-way
Components & Loading	(1) 2.5" MB, (1) AMT HF
Enclosure Type	Sealed, ultra-slim profile
Enclosure Material	Steel chassis, with aluminum endcaps
Finish	Black, White or Bronze (custom colors available)
Connectors	Phoenix connector
Suspension Hardware	Hidden bracket included
Grille	Perforated metal grille
Options	25V & 70V transformer On-Off switch

296 North Pascal Street
Saint Paul MN 55104

innovoxaudio.com
PROUDLY MADE IN THE U.S.A.

MOUNTING DETAILS



- 1 – Locator Pin Sockets
- 2 – Magnetic Fasteners
- 3 – Phoenix Connector