

DESCRIPTION

The **HLA-UB1** is a M/HF loudspeaker specifically designed to extend the projection an HLA Hybrid Line Array and achieve precise under balcony coverage. It can also be used to enhance articulation in other near field applications.

A 6" ribbon HF driver with wave guide and four 3.5" MF drivers are employed to match the clarity, detail and program level of other HLA loudspeakers. The enclosure's shallow depth and minimal height allow easy integration into the architectural environment.



KEY FEATURES:

- under balcony MF/HF fill for auditoriums
- 35° V x 90° H coverage
- very thin profile and height
- 140 Hz to 20kHz (± 3 dB)
- 116 dB long term output

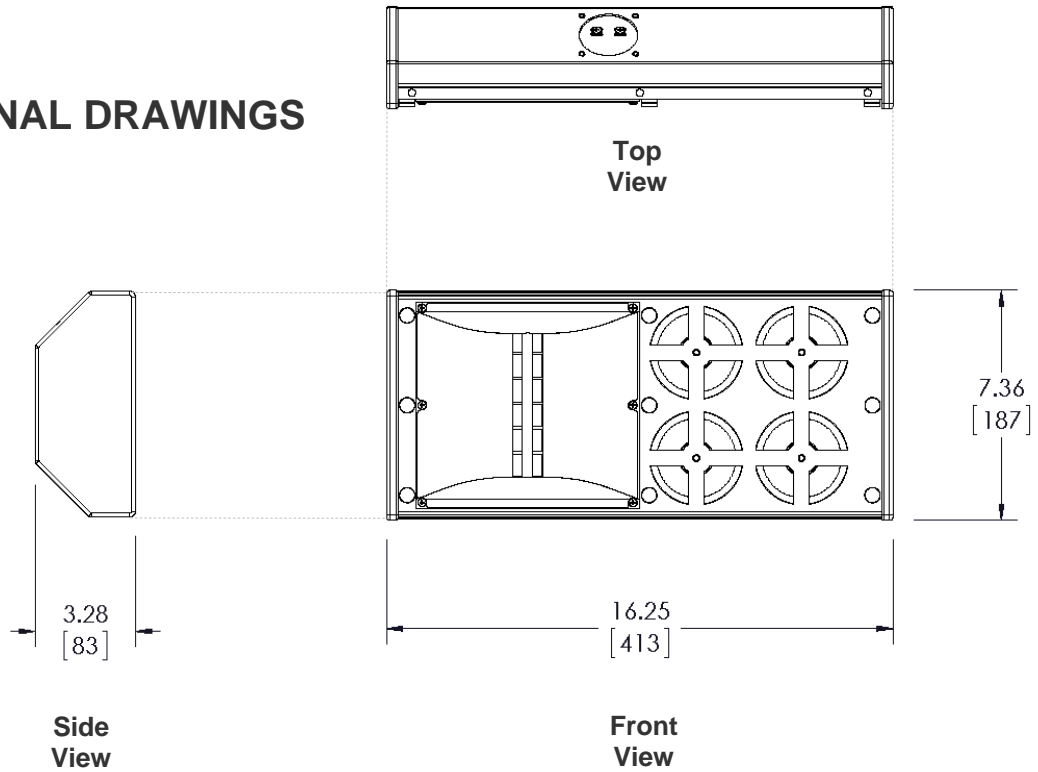
NOMINAL DATA

Frequency Response	140 – 20,000 Hz, ± 3 dB
Sensitivity	94 dB @ 2.83V / 1M
Impedance	8Ω (70-volt transformer available)
Power Handling	250 W long-term (AES-2)
Maximum Output	116 dB long-term, 122 dB peak
Nominal Coverage Angles	35° V x 90° H
Dimensions	height: 7.36 " / 187 mm width: 16.25 " / 413 mm depth: 3.28 " / 83 mm
Net Weight	8.6 lbs / 3.9 kg
Shipping Weight	11.0 lbs / 5.0 kg

DESCRIPTIVE DATA

System Configuration	Passive 2-way
Components & Loading	(4) 3.5" MF (1) 6" ribbon HF
Recommended High-Pass Filter	4 th order Butterworth @120 Hz
Enclosure Type	Sealed
Enclosure Material	Steel, aluminum & Baltic Birch plywood
Finish	Black or White standard (custom colors available)
Connectors	(2) dual binding head screws
Included Hardware	Steel yoke
Grille	Painted perforated steel

DIMENSIONAL DRAWINGS



INCLUDED HARDWARE

Mounting Bracket

