

(50° Vertical Included Angle)

**DESCRIPTION**

The **HLA-9 slim via 50** is a hybrid integration of a 9 element J-array loudspeaker and dipole directional low frequency loudspeakers. The J-array portion contains nine 3.5" mid-frequency drivers and nine ribbon high frequency drivers. The low frequency portion incorporates four 6.5" high output low frequency drivers in a dipole configuration to extend vertical LF control.

The array has been preconfigured with an asymmetrical 50°V by 120°H coverage pattern. It maintains vertical directivity to 175 Hz, and low frequency response to 80 Hz. A single HLA-9 slim can provide full range coverage of both the front row and seats as far as 75 feet away with exceptional clarity and detail.

**KEY FEATURES:**

- asymmetrical 50° V x 120° H coverage
- vertical control to 175 Hz
- -3 dB low frequency response 80 Hz
- effective projection to 75 feet

**APPLICATIONS:**

- auditoriums
- churches
- lecture halls
- presentation spaces



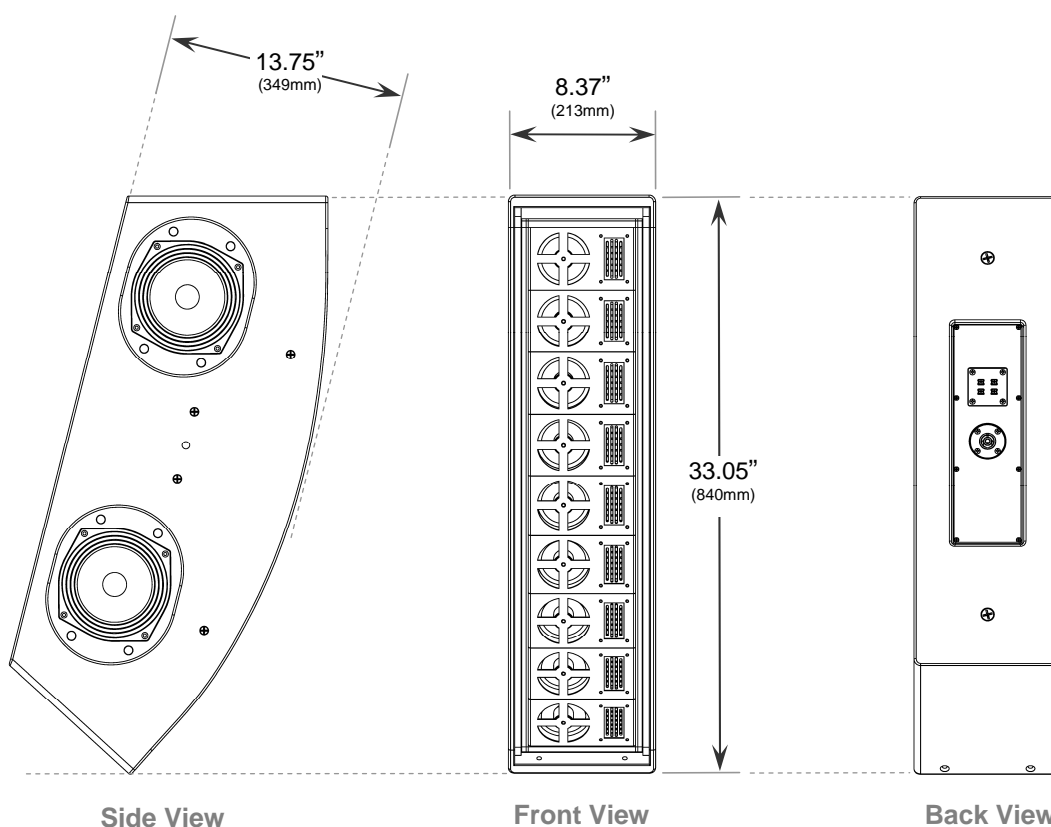
**NOMINAL DATA**

Frequency Response	80 Hz to 20 kHz, ± 3 dB
Sensitivity	98 dB @ 2.83V / 1M
Impedance	Mid-Hi – 8Ω / LF – 8Ω
Power Handling	M/H: 750 W long-term (AES-2) LF: 1000 W long-term (AES-2)
Maximum Output	121 dB long-term, 127 dB peak
Nominal Coverage	120° H x 50° V
Dimensions	height: 33.05" / 840 mm width: 8.37" / 213 mm depth: 13.75" / 349 mm
Net Weight	51 lbs / 23.2 kg
Shipping Weight	60 lbs / 27.3 kg

**DESCRIPTIVE DATA**

System Configuration	Biamped hybrid integration of a curvilinear M/H line array with a low frequency dipole
Components & Loading	9 x 3.5" MF 9 x 3" ribbon HF 4 x 6.5" LF drivers
Recommended Crossover	4 <sup>th</sup> order Linkwitz-Riley @ 300 Hz
Recommended High-Pass Filter	4 <sup>th</sup> order Butterworth @ 50 Hz
Enclosure Type	Curvilinear array: sealed enclosure Dipole LF: tuned reflex enclosure
Enclosure Material	Steel, Aluminum & Baltic Birch Plywood
Finish	White or Black (custom colors available)
Connectors	NL4, & (2) dual binding head screws
Suspension Hardware	(2) 3/8-16 threaded points on each side; steel yoke included
Grille	Painted perforated steel

**DIMENSIONAL DRAWINGS**



(50° Vertical Included Angle)

**DESCRIPTION**

The **HLA-9P slim via 50** is a hybrid integration of a 9 element J-array loudspeaker and dipole directional low frequency loudspeakers. It is powered by two internal 750W amplifiers with on-board DSP. The J-array portion contains nine 3.5" mid-frequency drivers and nine ribbon high frequency drivers. The low frequency portion incorporates four 6.5" high output low frequency drivers in a dipole configuration to extend vertical LF control.

The array has been preconfigured with an asymmetrical 50°V by 120°H coverage pattern. It maintains vertical directivity to 175 Hz, and low frequency response to 80 Hz. A single HLA-9P slim can provide full range coverage of both the front row and seats as far as 75 feet away with exceptional clarity and detail.



**KEY FEATURES:**

- asymmetrical 50° V x 120° H coverage
- vertical control to 175 Hz
- -3 dB low frequency response 80 Hz
- power & DSP by Powersoft®
- effective projection to 75 feet

**APPLICATIONS:**

- auditoriums
- churches
- lecture halls
- presentation spaces

**NOMINAL DATA**

Frequency Response	80 Hz to 20 kHz, ± 3 dB
Power	M/H: 750 W RMS LF: 750 W RMS
Maximum Output	121 dB long-term, 127 dB peak
Nominal Coverage	120° H x 50° V
Dimensions	height: 33.05 " / 840 mm width: 8.37 " / 213 mm depth: 13.75 " / 349 mm
Net Weight	51 lbs / 23.2 kg
Shipping Weight	60 lbs / 27.3 kg

**DESCRIPTIVE DATA**

System Configuration	Biamped hybrid integration of a curvilinear M/H line array with a low frequency dipole
Components & Loading	9 x 3.5" MF 9 x 3" ribbon HF 4 x 6.5" LF drivers
Input	Balanced line level with XLR and XLR loop through
Enclosure Type	Curvilinear array: sealed enclosure Dipole LF: tuned reflex enclosure
Enclosure Material	Steel, Aluminum & Baltic Birch Plywood
Finish	White or Black (custom colors available)
Suspension Hardware	(2) 3/8-16 threaded points on each side; steel yoke included
Grille	Painted perforated steel

**DIMENSIONAL DRAWINGS**

