

DESCRIPTION

The **SBA-218** is a compact high output permanent installation sub-bass loudspeaker employing two 18-inch long-excursion drivers in an optimally tuned vented enclosure. It is an ideal choice for applications requiring precise transient response and low bass extension in a compact very high output package.

The **SBA-218** is frequently employed as a single unit, or it can be used in multiples to create cardioid bass arrays. It's compact size fits well both under stages and in flown loudspeaker clusters.



KEY FEATURES:

- compact size
- bass extension to 27Hz
- very high output
- low power compression
- excellent transient response
- cardioid bass array component

APPLICATIONS:

- auditoriums
- churches
- performing arts centers
- theaters

NOMINAL DATA

Frequency Response	27 – 350 Hz ± 3 dB
Sensitivity	101 dB @ 2.83 volts / 1M (in operating band)
Impedance	(2) x 8 Ω
Power Handling	3200 W long term (AES-2)
Maximum Output	135 dB long term; 141 dB peak
Nominal Coverage Angles	omni-directional
Dimensions	height: 21.07" / 535 mm width: 38.38" / 975 mm depth: 30.60" / 777 mm
Net Weight	198 lbs / 90.0 kg
Shipping Weight	228 lbs / 103.6 kg

DESCRIPTIVE DATA

System Configuration	Dedicated sub-bass
Components & Loading	(2) 18" long-excursion cone drivers
Recommended High-Pass Filter	4 th order Butterworth @ 24 Hz
Enclosure Type	Optimally tuned, vented
Enclosure Material	Hardwood multi-ply plywood
Finish	Black or White (custom finishes available)
Connectors	(3) NL4
Suspension Hardware	(12) 3/8"-16 threaded mounting points located on enclosure sides
Grille	Powder coated perforated steel grille

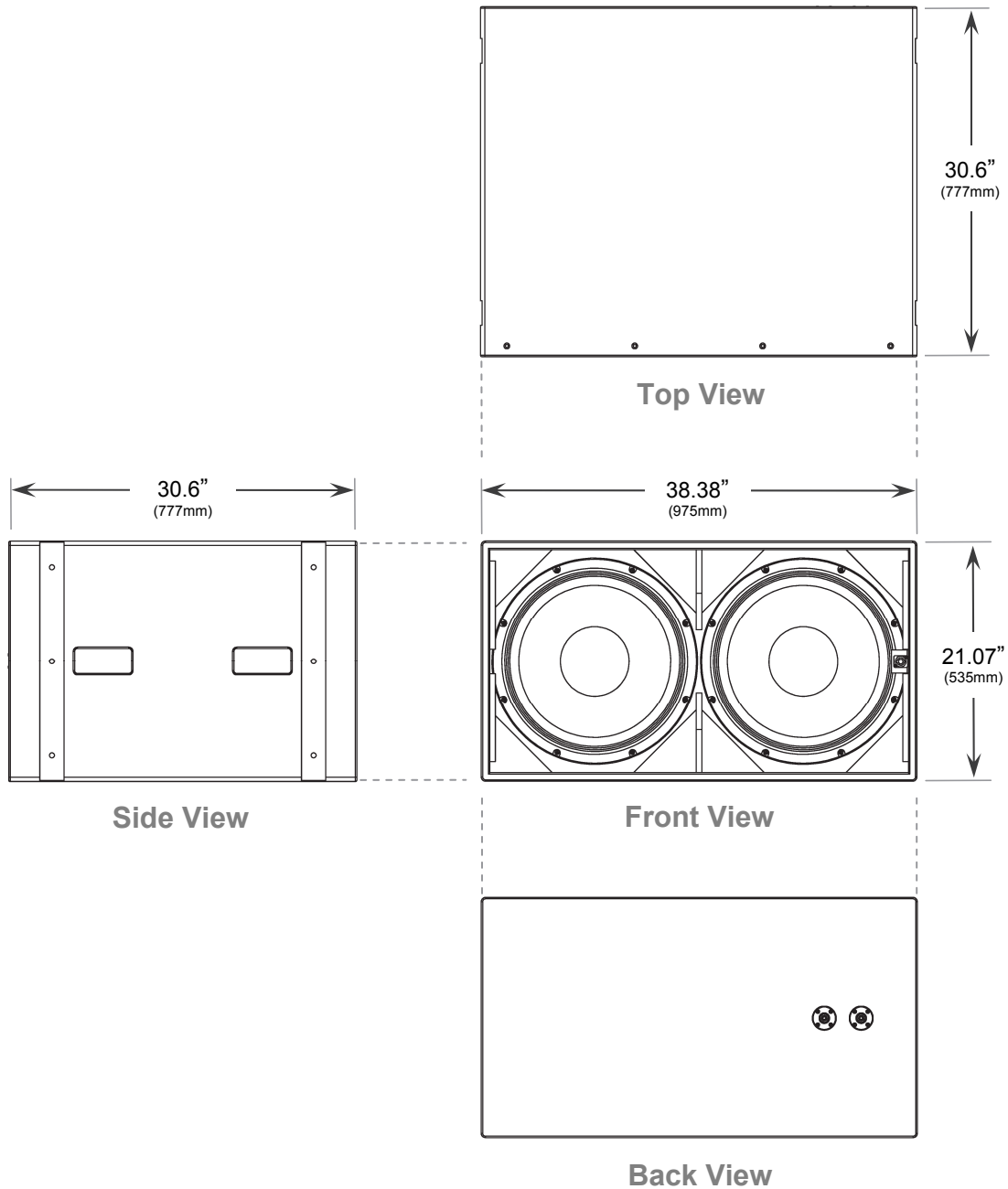
West Coast Office

1155-C Arnold Drive, #231
Martinez CA 94553
ph: **925 372-8156**
email: orders@innovoxaudio.com

Central Office

296 North Pascal Street
Saint Paul MN 55104
ph: **612 379-0100**
email: sales@innovoxaudio.com

DIMENSIONAL DRAWINGS



West Coast Office

1155-C Arnold Drive, #231
Martinez CA 94553

ph: **925 372-8156**

email: orders@innovoxaudio.com

Central Office

296 North Pascal Street
Saint Paul MN 55104

ph: **612 379-0100**

email: sales@innovoxaudio.com