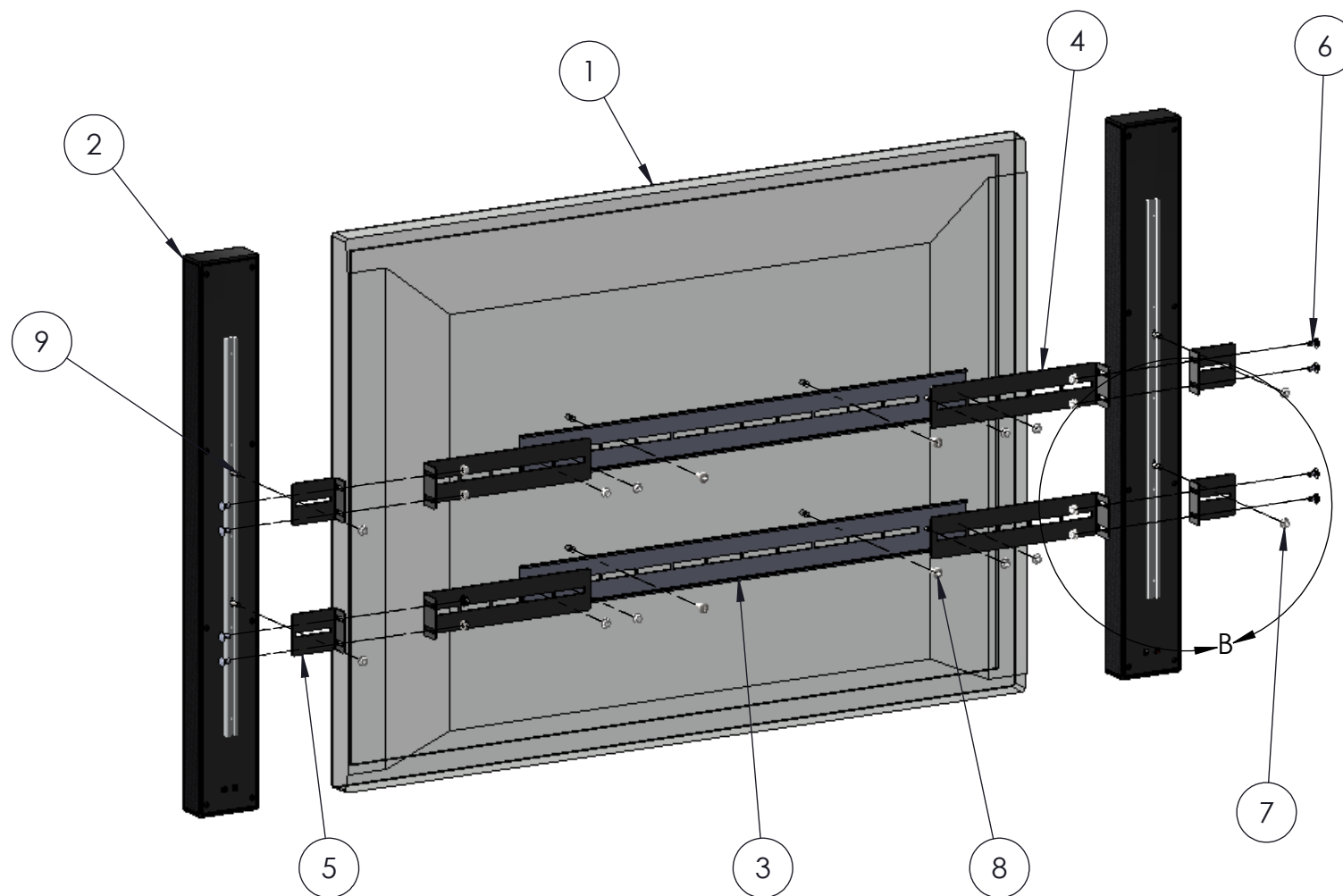



| ITEM NO. | DESCRIPTION                        | Quantity |
|----------|------------------------------------|----------|
| 1        | Display                            | 1        |
| 2        | Flex V2 Speaker                    | 2        |
| 3        | Flex Span Bar                      | 2        |
| 4        | Flex Mounting Arm                  | 4        |
| 5        | Flex Speaker Attach Plate          | 4        |
| 6        | 1/4"-20x.50" Carriage Bolt         | 8        |
| 7        | 1/4"-20 Kep Nut/Washer Combination | 20       |
| 8        | Display Mounting Bolt (By Others)  | 4        |
| 9        | 1/4"-20 Hex Head Bolt              | 4        |

### Mounting Instructions

- If Display manufacturer allows, set Display face down on flat surface for best results.
  - Any Display Wall Mount (by Others) goes over Innovox Mounting hardware. Display mounting bolts go through Wall Mount, into Innovox hardware and then into the display.
1. Attach Span Bar (3) and Wall Mount (by Others) to display (1), using display attach bolts (8, Not Included).
  2. Attach Mounting Arms (4) to Span Bar (3) using 1/4" washers and nuts (7). One washer and nut per attach point, QTY 8. Finger tighten nuts only.
  3. Slide two Hex Head Bolts (9), into each track on back of speakers.
  4. Place Speaker Attach Plates (5) onto track on speakers (2) using the hex head bolts (9) and finger tighten kep nut/washer combination (7).
  5. Secure speaker attach plate/speaker assembly from step 4 to mounting arms (4) using a kep nut/washer combo (7) per attach point.
  6. Align speakers to match the display and tighten all nuts.



|   |  |                       |   |  |  |
|---|--|-----------------------|---|--|--|
|  | 296 Pascal Street N.<br>St. Paul, MN 55104<br>Tel: (612) 379-0100<br>Fax: (612) 379-0101   |                       | Model<br><b>Flex V2 Mounting Kit Instructions</b> |  |  |
|   | 817 Arnold Drive, #6-B<br>Martinez, CA 94553<br>Tel: (925) 372-8156<br>Fax: (925) 372-8157 | DWG.<br>DSG-001422-05 | Author<br>DSirny                                  |  |  |
|   |  | Date<br>3/14/2013     | Revision<br>02                                    |  |  |