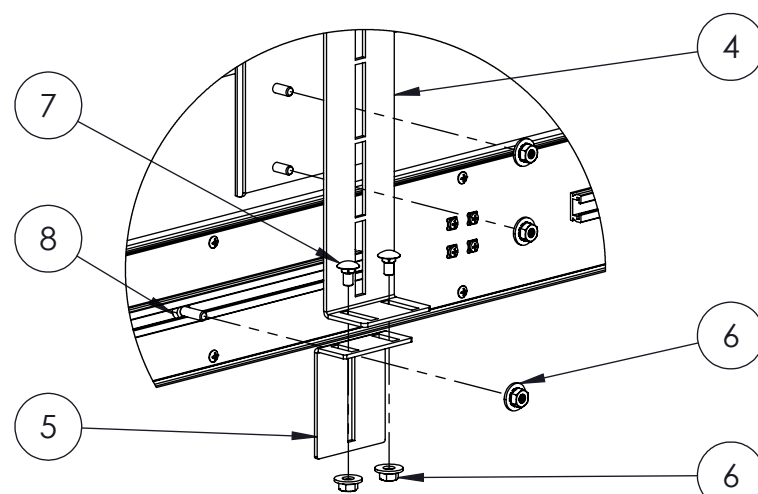
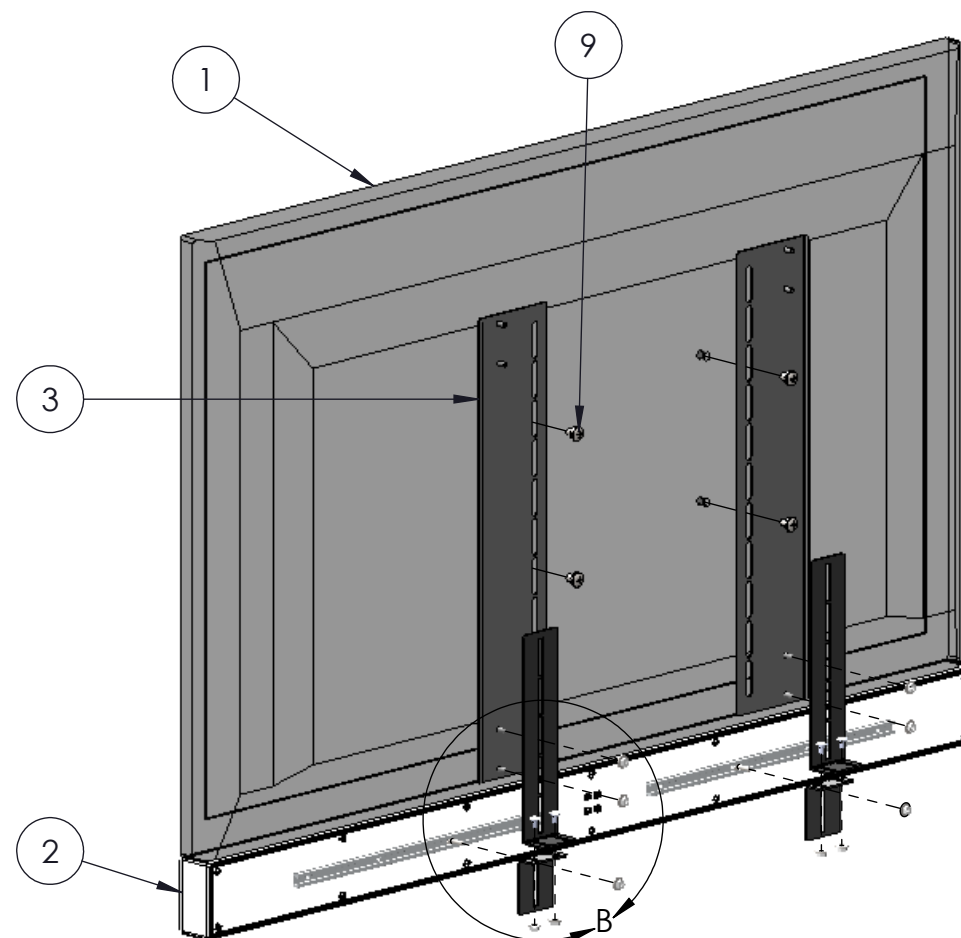


DETAIL A  
Finished Assembly



DETAIL B  
Exploded Assembly



ITEM NO.	DESCRIPTION	QTY.
1	Large Display	1
2	Flex Horizontal Speaker	1
3	Flex Drop Plate	2
4	Flex Mounting Arm	2
5	Flex Speaker Attach Plate	2
6	1/4"-20 Kep Nut/Washer Combo	10
7	1/4"-20 x 1/2" Carriage Bolt	4
8	1/4"-20 x 3/4" Hex Head Bolt	2
9	Display Attach Bolts (by Others)	4

### Mounting Instructions

- If Display manufacturer allows, set Display face down on flat surface for best results.
- Any Display Wall Mount (by Others) goes over Innovox Mounting hardware. Display mounting bolts go through Wall Mount, into Innovox hardware and then into the display.

1. Attach Flex Drop Plate (3) and Wall Mount (by Others) to display (1) and hand tighten, using display attach bolts/washers (Not Included, 9).
2. Attach Mounting Arms (4) to Flex Drop Plate (3) using 1/4" Kep nut/Washer combination (6). Finger tighten nuts only.
3. Slide two Hex Head Bolts (8), into each track on back of speakers.
4. Attach Speaker Attach Plates (5) to track on speakers (2) using the hex head bolts (8) and finger tighten nuts/washers (6).
5. Secure attach plate/speaker assembly from step 4 to mounting arms (4) using a 1/4" Kep Nut/Washer combination (6).
6. Align speakers to match the display and tighten all nuts.

#### Notes

- Speaker can be mounted below the display (as shown), or on the top of it.



296 Pascal Street N.  
St. Paul, MN 55104  
Tel: (612) 379-0100  
Fax: (612) 379-0101

Model

Flex Horizontal Mounting Kit

817 Arnold Drive, #6-B  
Martinez, CA 94553  
Tel: (925) 372-8156  
Fax: (925) 372-8157

DWG.

DSG-001443-05A

Author

DSirny

Date

3/31/2013

Revision

01