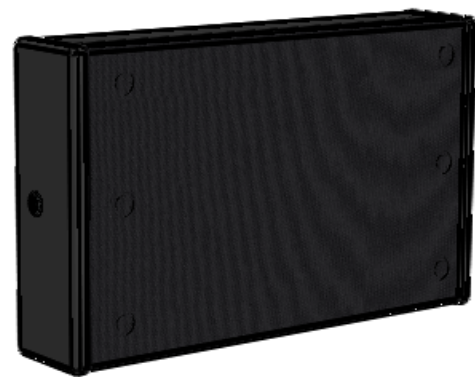
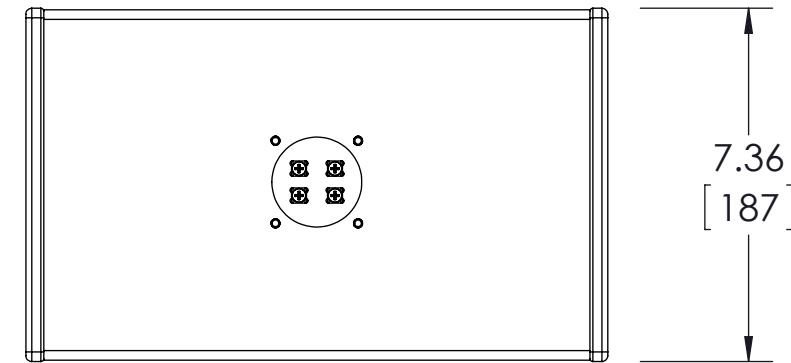
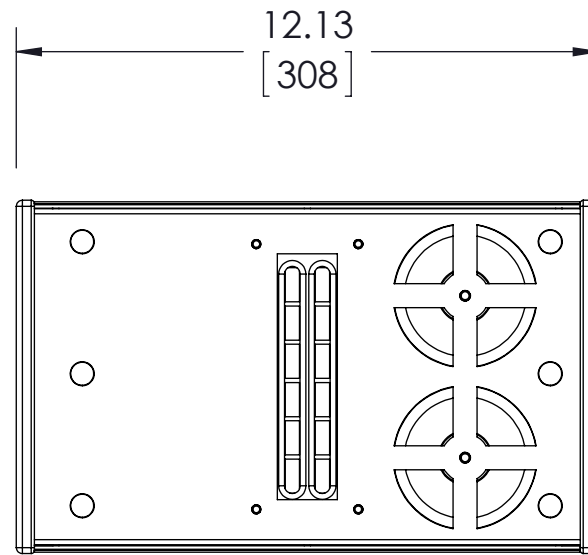
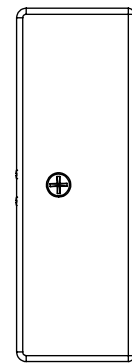


Mounting Bracket



Shown with Grille



Innovox

296 Pascal Street N.
St. Paul, MN 55104
Tel: (612) 379-0100
Fax: (612) 379-0101

817 Arnold Drive, #6-B
Martinez, CA 94553
Tel: (925) 372-8156
Fax: (925) 372-8157

Model	HLA-Stage Lip: Speaker Assembly	
DWG.	PLS-000340-01	Author DSirny
Date	9/14/2012	Revision 03+