

Arrayable High Output Sub-Bass

The SBA-115 employs a 15-inch long-excursion driver in an optimally tuned vented enclosure. It is an ideal choice for applications requiring precise transient response and low bass extension in a compact very high output package.

The SBA-115 is frequently used as a single unit, or in multiples to create cardioid bass arrays. Its compact size fits well under stages or on stage, and dimensionally matches the HLA-16 in flown arrays.



Key Features

- Compact size
- Bass extension to 32 Hz
- Very high output
- Excellent transient response
- Component of Cardioid Bass Arrays

Applications

- Churches
- Performing Arts Centers
- Cinema
- Night Clubs

Description

System Configuration	Dedicated sub-bass
Components & Loading	(1) 15" long-excursion cone driver
Recommended High-Pass Filter	4th order Butterworth @ 27 Hz
Input Connectors	(3) NL-4
Enclosure Type	Optimally tuned, vented
Enclosure Material	Hardwood multi-ply plywood
Finish	Black or White standard (custom colors available)
Suspension Hardware	(12) 3/8-16 threaded mounting points located on enclosure sides
Grille	Painted perforated steel

Nominal Data

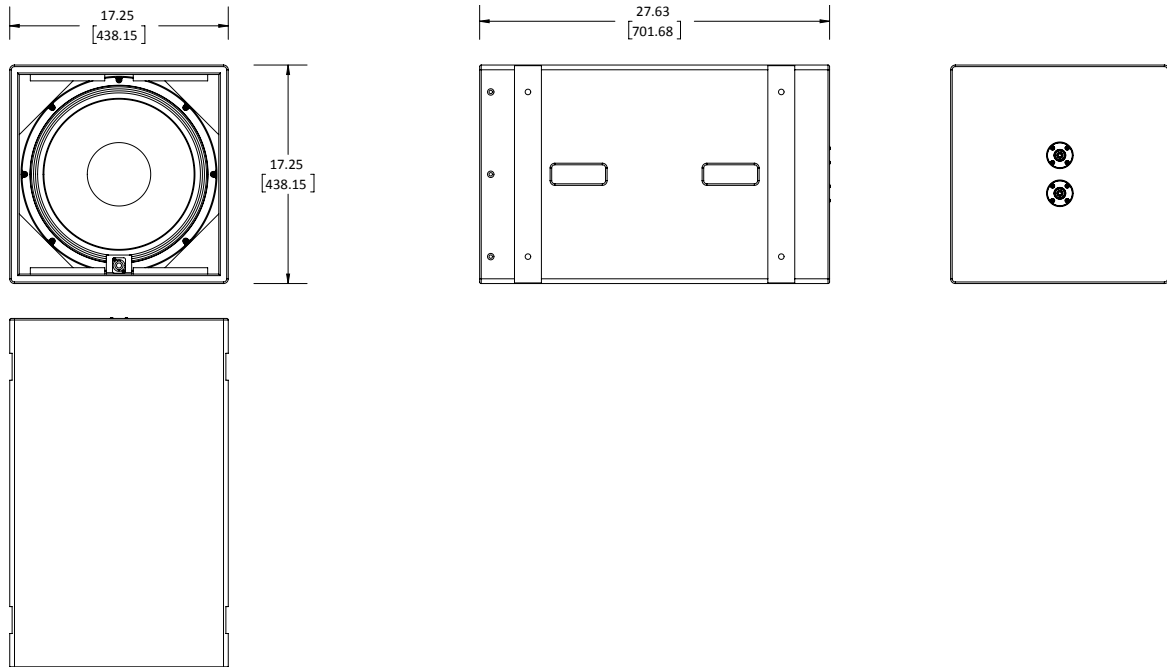
Frequency Response	32 – 350 Hz ±3 dB
Sensitivity	95 dB @ 2.83 volts / 1M (in operating band)
Impedance	8 Ω
Power Handling	1400 W long-term (AES-2)
Maximum Long-Term Output	124 dB @ 1M
Peak Output	130 dB @ 1M
Nominal Coverage Angles	Omni-directional
Dimensions Height	17.25" / 438 mm
Width	17.25" / 438 mm
Depth	27.63" / 702 mm
Net Weight	87 lbs / 39.5 kg
Shipping Weight	117 lbs / 53.2 kg

Sub-Bass Series

SBA-115



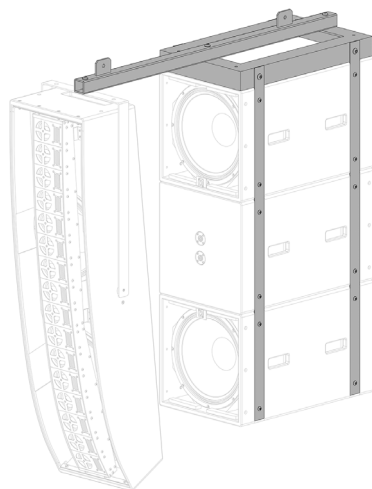
Arrayable High Output Sub-Bass



Optional Accessory

HLA SBA-16 F/B

The HLA SBA-16 F/B suspension system hangs an SBA-115 cardioid sub-bass array behind an HLA-16 Hybrid Line Array. It provides a compact solution where vertical height is limited.



HLA SBA-16 T/B

The HLA SBA-16 T/B suspension system hangs an HLA-16 below an SBA-115 cardioid sub-bass array. It provides a compact solution where depth is limited.

