

# FF-H1.450

Flex Focus Series



EXPERIENCE THE SOUND  
OF TRUE ENGAGEMENT

## Horizontal Line Array Solution for Longer Rooms

### DESCRIPTION

The **FF-H1.450** loudspeaker employs shaded line array technology with ribbon high frequency drivers to extend sound projection in longer rooms. Their frequency response (120-20,000Hz  $\pm$ 3dB) is optimized for speech intelligibility and musical detail.

The FF-H1.450 loudspeaker pairs can be used in combination with an Innovox Micro-Sub Series subwoofer to extend low frequency response to support full-range music program.



### KEY FEATURES

- Made to match width of video display
- Precise 50° horizontal control
- Line Array projection for longer rooms
- Works with Flex-Companion Series powered sub-woofers

### APPLICATIONS

- Mono Video Conference speaker
- Audio for Digital signage
- Managed sound coverage for museum displays

### DESCRIPTIVE DATA

System Configuration:	Frequency-shaded line array   Sold each
Components & Loading:	(4) 3.5" LF drivers; (1) HF ribbon
Enclosure Type:	Sealed enclosure, low profile column
Enclosure Material:	ABS with ABS endcaps
Connectors:	2-pole Phoenix
Suspension Options: <i>(specify #1 or #2 when ordering)</i>	#1 – Adjustable universal bracket for direct mount to display #2 – Wall-mount
Grille:	Integral, fabric wrapped

### NOMINAL DATA

Frequency Response:	120 – 20,000 Hz $\pm$ 3 dB
Sensitivity:	95 dB @ 2.83V / 1M
Nominal Coverage Angles:	50° H x 120° V
Pattern Control to:	900 Hz
Nominal Impedance:	4 $\Omega$
Long-Term Power Handling:	175 W (AES-2)
Maximum Long-Term Output: Peak Output:	116 dB 122 dB
Minimum Display Width:	28" / 711 mm
Dimensions	Height: 4.06" / 103 mm Width: (custom) Depth: 2.13" / 54 mm
Approximate Net Weight:	11.5 lbs. / 5.2 kg
Approximate Shipping Weight:	13.0 lbs. / 5.9 kg

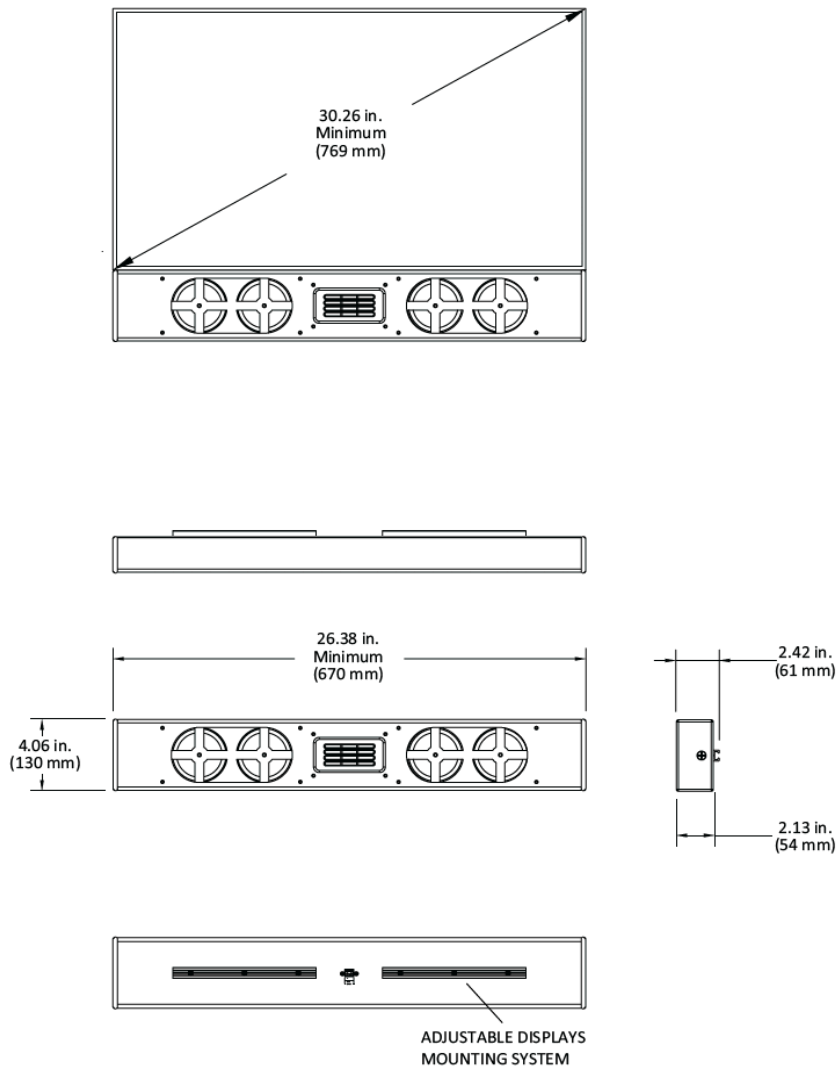
# FF-H1.450

Powered Flex Focus™ Series



EXPERIENCE THE SOUND  
OF TRUE ENGAGEMENT

## DIMENSIONAL DRAWINGS



## CONNECTION DETAILS

