

AE-MicroLift

Articulation Extension Tools



EXPERIENCE THE SOUND
OF TRUE ENGAGEMENT

Compensating for Loss of High Frequency Transients Essential for Speech Intelligibility

DESCRIPTION

The **AE-MicroLift** is an ultra-slim 2-way loudspeaker designed to be surface-mounted on tabletops, pew backs or flat on a wall. It employs a precision Air Motion Transformer HF driver and a 2.5" long-excursion mid bass driver to deliver the exceptional definition and the voice clarity of face-to-face communication.

Two AE-MicroLifts can be combined with an available Innovox micro subwoofer, to extend LF frequency response to 50 Hz and create an ultra-compact 2.1 system.



KEY FEATURES

- 130° H x 130° V Coverage Pattern
- Superior Transient Response of AMT HF driver
- Very thin profile

APPLICATIONS

- Desk-top Articulation Extender
- Pew-back speaker
- Mid-High Frequency component of very compact 2.1 system

DESCRIPTIVE DATA

System Configuration:	Low profile 2-way
Components & Loading:	(1) 2.5" long-excursion MB driver; (1) Air Motion Transformer HF driver
Enclosure Type:	Sealed, ultra-slim profile
Enclosure Material:	Steel chassis, with aluminum endcaps
Finish:	Black, white or bronze (custom colors available)
Connectors:	Phoenix
Suspension Hardware:	Hidden bracket included
Grille:	Perforated metal grille
Options:	25V & 70V transformer; On-Off switch

NOMINAL DATA

Frequency Response:	150 – 20,000 Hz \pm 3 dB
Sensitivity:	85.3 dB @ 2.83 volts / 1M
Nominal Impedance:	4 Ω
Power Handling:	20 W long term (AES-2)
Maximum Long-Term Output:	98 dB
Peak Output:	101 dB @ 1 meter
Nominal Coverage Angles:	130° H x 130° V
Dimensions	Height: 2.19" / 56 mm
	Width: 5.50" / 140 mm
	Depth: 5.80" / 147 mm
Net Weight:	2 lbs / 0.9 kg
Shipping Weight:	4 lbs / 1.8 kg

AE-MicroLift

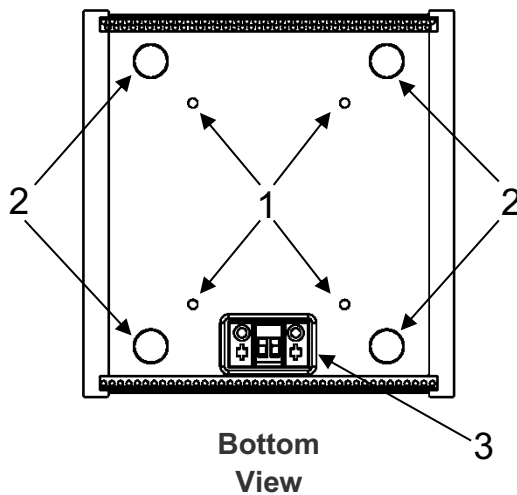
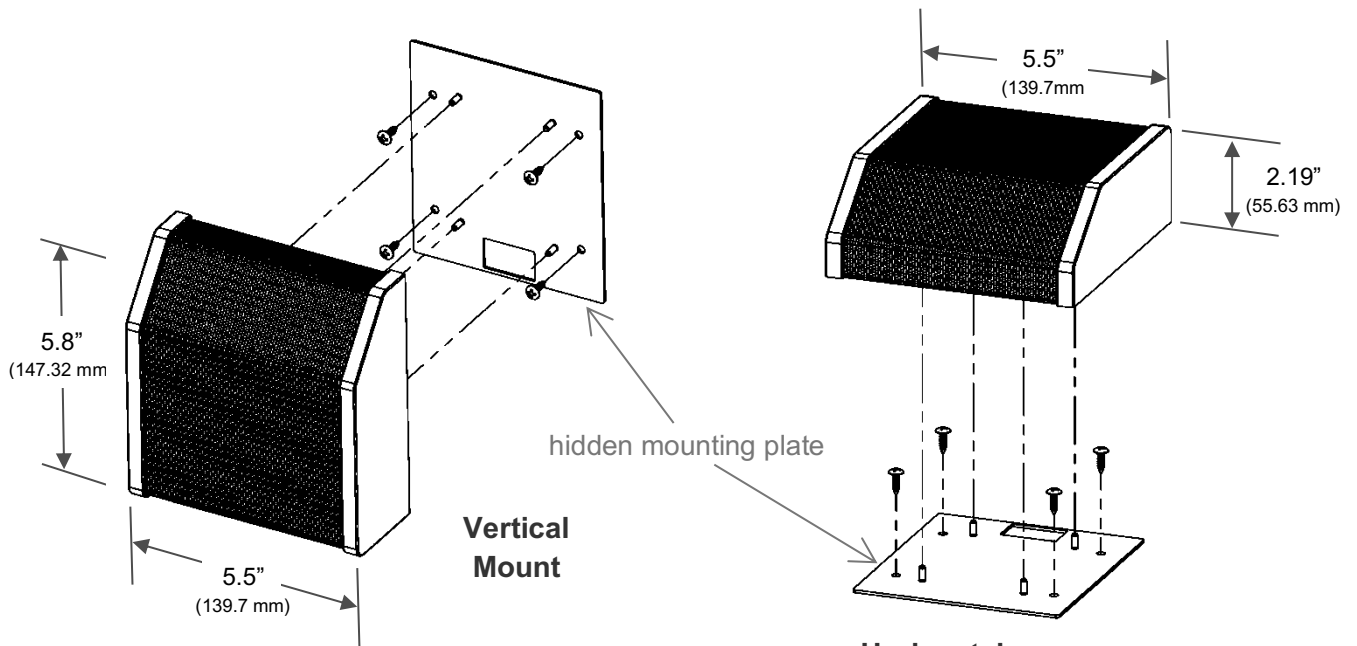
Articulation Extension Tools



EXPERIENCE THE SOUND
OF TRUE ENGAGEMENT

DIMENSIONAL DRAWINGS

MOUNTING DETAILS



- 1 – Locator Pin Sockets
- 2 – Magnetic Fasteners
- 3 – Phoenix Connector