

FS-H2



Flex Select™ Series

EXPERIENCE THE SOUND
OF TRUE ENGAGEMENT

Made-to-Measure for the Exact Width of Your Flat Panel Display

DESCRIPTION

Flex Select display mount loudspeakers provide a “value solution” in an ultra slim enclosure with natural sounding textile dome HF drivers and efficient woofers.

Nominal coverage angle is 100° H x 120° V. Configuration per channel includes two 3.5” long-excursion LF drivers and one .75” textile dome HF driver.



KEY FEATURES

- Made to match width of video display
- Textile Dome HF provides balanced neutral sound
- Works with Micro-Sub Series Subwoofers

APPLICATIONS

- Stereo video conference speaker
- Audio to complement digital signage
- Uniform sound coverage for near-field Application:

DESCRIPTIVE DATA

System Configuration:	2-channel 2-way
Components & Loading: (per channel)	(2) 3.5” long-excursion LF drivers; (1) 0.75” HF driver
Recommended High-Pass Filter:	On-board 1 st order @ 120 Hz; no outboard HP needed
Enclosure Type:	Low profile sealed enclosure
Enclosure Material:	Extruded ABS plastic with steel baffle insert
Finish:	Black fabric
Connectors:	Phoenix
Grille:	Integral fabric wrap

NOMINAL DATA

Frequency Response:	120 – 20,000 Hz ±3 dB
Sensitivity:	90 dB @ 2.83 volts / 1M
Impedance:	6 Ω per channel
Power Handling:	90 W (AES-2) per channel
Maximum Long-Term Output: Peak Output:	105 dB 111 dB
Nominal Coverage Angles:	100° H x 120° V
Minimum Width:	34.00” / 864 mm
Dimensions	Height: 4.06” / 103 mm Width: (custom) Depth: 2.13” / 54 mm
Approximate Net Weight: (varies with length)	6 lbs / 2.7 kg – 13 lbs / 5.9 kg
Approximate Shipping Weight: (varies with length)	8 lbs / 3.6 kg – 15 lbs / 6.8 kg

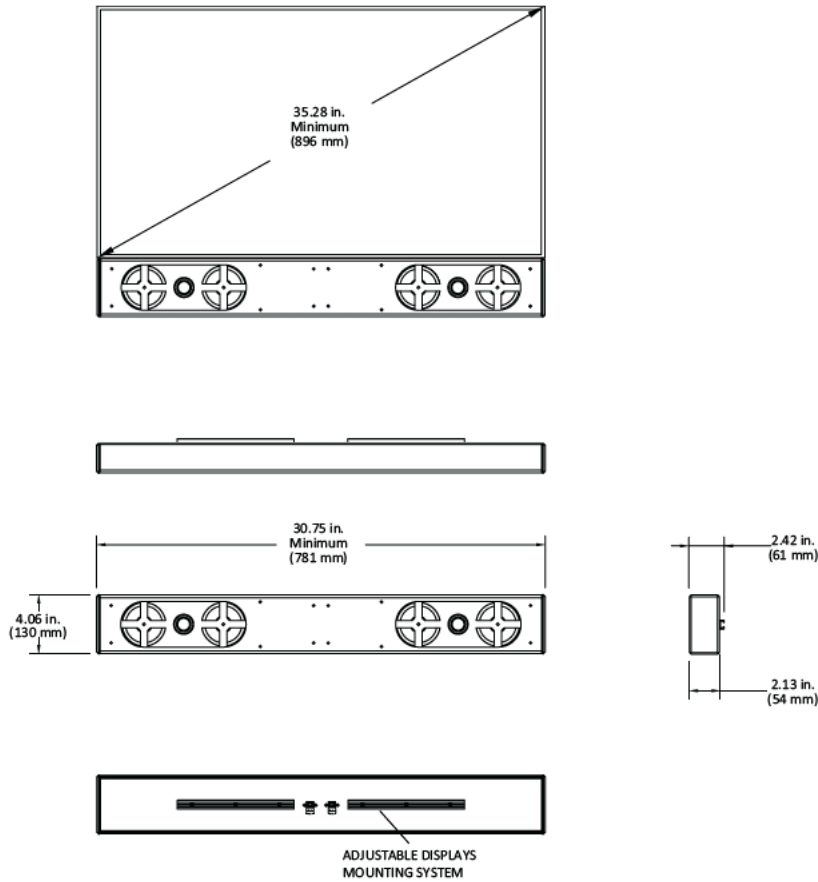
FS-H2

Flex Select™ Series



EXPERIENCE THE SOUND
OF TRUE ENGAGEMENT

DIMENSIONAL DRAWINGS



CONNECTION DETAILS

