

# HLA-UB1

HLA Companion



EXPERIENCE THE SOUND  
OF TRUE ENGAGEMENT

## True Sound Engagement in Large Venues

### DESCRIPTION

The **HLA-UB1** is a M/HF loudspeaker specifically designed to extend the projection of an HLA Hybrid Line Array and achieve precise under balcony coverage. It can also be used to enhance articulation in other near field applications.

A 6" ribbon HF driver with wave guide and four 3.5 MF drivers are employed to match the clarity, detail and program level of other HLA loudspeakers. The enclosure's shallow depth allows easy integration into the architectural environment.



### KEY FEATURES

- Under Balcony M/HF Fill
- 90° H x 35° V Coverage
- Very Thin Profile
- 116 dB long term SPL

### APPLICATIONS

- Churches
- Lecture Halls
- Presentation Spaces
- Performing Arts Centers

### DESCRIPTIVE DATA

System Configuration:	Passive 2-way
Components & Loading:	(4) 3.5" MF drivers; (1) 6" ribbon HF driver
Recommended High-Pass Filter:	4 <sup>th</sup> order Butterworth @ 120 Hz
Input Connection:	(2) dual binding head screws
Enclosure Type:	Sealed enclosure
Enclosure Material:	Steel & ABS
Finish:	Black or White standard (custom colors available)
Included Hardware:	Steel yoke
Grille:	Painted perforated steel

### NOMINAL DATA

Frequency Response:	140 – 20,000 Hz $\pm$ 3 dB
Sensitivity:	94 dB @ 2.83V / 1M
Impedance:	8 $\Omega$ (70-volt transformer available)
Power Handling:	250 W long term (AES-2)
Maximum Long-Term Output:	116 dB
Peak Output:	122 dB
Nominal Coverage Angles:	90° H x 35° V
Dimensions	Height: 7.36" / 187 mm
	Width: 16.25" / 413 mm
	Depth: 3.30" / 84 mm
Net Weight:	11.5 lbs / 5.2 kg
Shipping Weight:	13 lbs / 5.9 kg

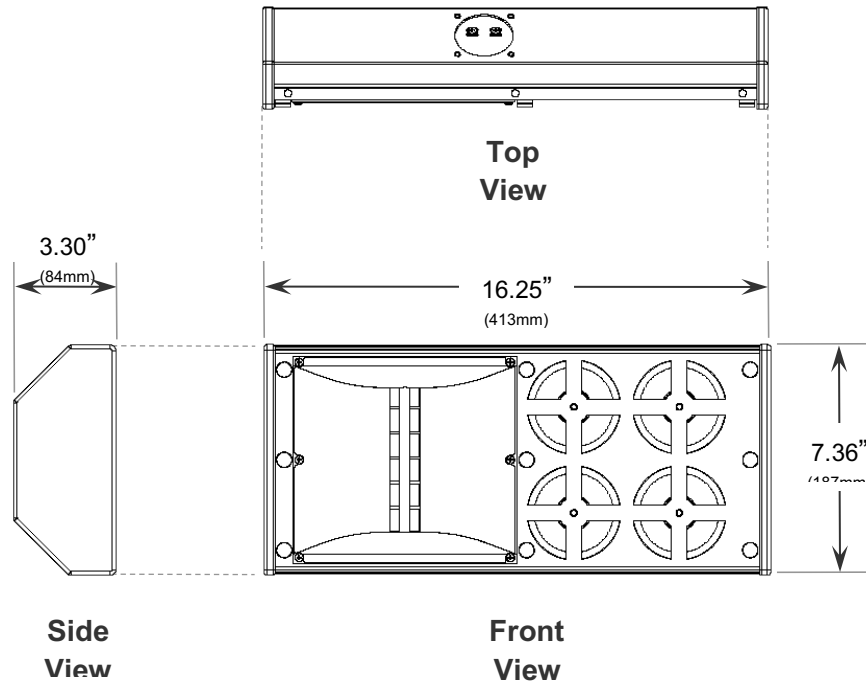
# HLA-UB1

HLA Companion



EXPERIENCE THE SOUND  
OF TRUE ENGAGEMENT

## DIMENSIONAL DRAWINGS



## INCLUDED HARDWARE

*Mounting Bracket*

