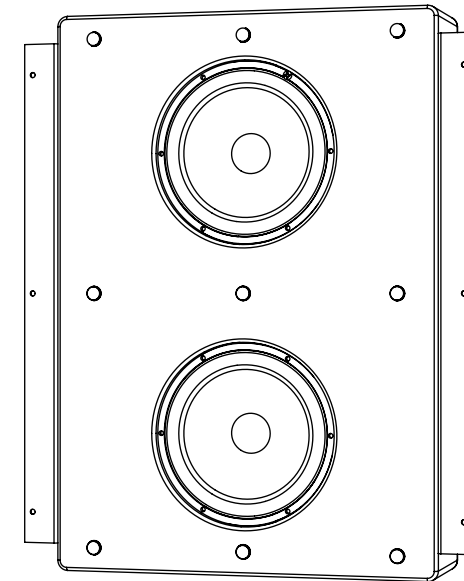
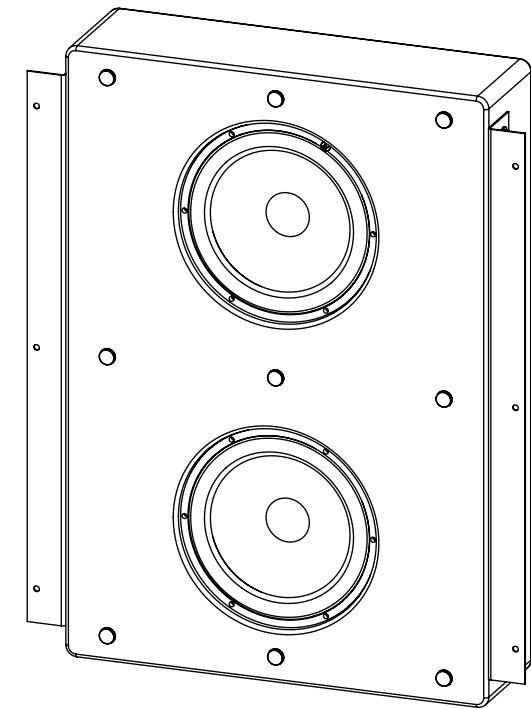


Shown with Grille



- Cutout in Wall to be 14.50" x 20.50"



296 Pascal Street N.
St. Paul, MN 55104
Tel: (612) 379-0100
Fax: (612) 379-0101

817 Arnold Drive, #6-B
Martinez, CA 94553
Tel: (925) 372-8156
Fax: (925) 372-8157

Model	Micro-Sub 2x6 IW: Speaker Assembly	
DWG.	PLS-001032-01	Author ABlesbois
Date	6/1/2012	Revision 01+