

Micro-Sub 6 iw

Micro-Sub Series



Ultra-Compact Sub-Bass Loudspeaker for In-Wall Installation

The **Micro-Sub 6 iw** is a high definition subwoofer designed for in-wall installation. It uses a 6.5" low frequency driver in a very compact sealed enclosure. It should be used in conjunction with out-board active equalization to achieve superior transient response and maximum output. This sophisticated DSP processing can be provided by an Innovox proprietary powered system processor.

The **Micro-Sub 6 iw** complements the Innovox *Slim Line Series* of shallow profile surface-mount loudspeakers, and the *Flex Video Series* of display-mounted loudspeakers. It also is used as a low-bass component in extended range distributed audio systems.



Key Features

- *In-Wall Mounting*
- *Very Compact Enclosure (only 4.10" deep)*
- *Excellent Transient Response*
- *LF Extension to 45Hz*

Applications

- *Sound for Video Presentations*
- *Themed Venues and Restaurants*
- *Boardrooms*
- *Retail Spaces*
- *Video Wall Installations*

Technical Specifications

DESCRIPTIVE DATA

System configuration	Dedicated low frequency
Components & Loading	(1) 6.5" LF driver
Recommended High-Pass	4th order Butterworth @ 46 Hz
Nominal Impedance	8 Ω
Input Connectors	(1) 2-pole Phoenix
Enclosure Material	Hardwood multi-ply plywood
Enclosure Type	Rectangular, sealed enclosure
Finish	Black or white standard (custom colors available)
Grille	Painted, perforated steel
Suspension Hardware	(2) ¼"-20 threaded mounting points

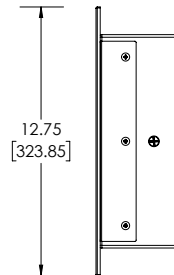
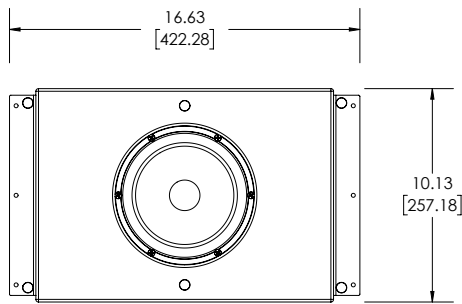
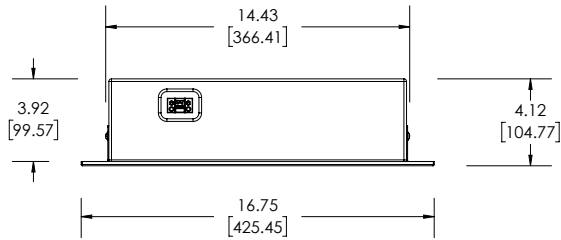
ACOUSTICAL DATA

Frequency Response	45 Hz--350 Hz \pm 3dB
Power Handling	175 W long term program (AES-2)
Maximum Long-term Output	102 dB
Peak Output	108 dB

PHYSICAL

Height	10.33" / 262 mm
Width	14.33" / 364 mm
Depth w/grille	4.12" / 105 mm
Depth, no grille	3.92" / 100 mm
Net Weight	15 lbs. / 6.8 kg
Shipping Weight	18 lbs. / 8.2 kg

Dimensional Drawings



Note: Wall cutout to be 14.50" x 10.50".

