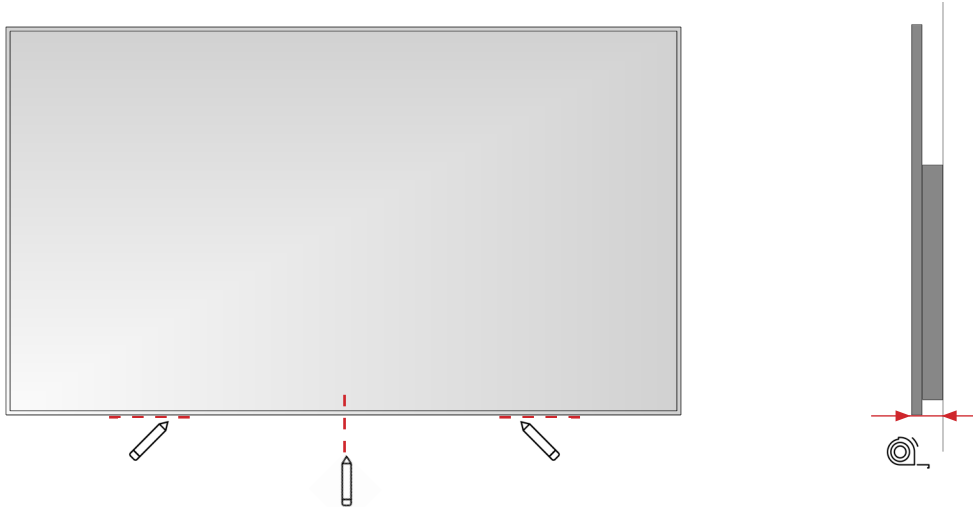


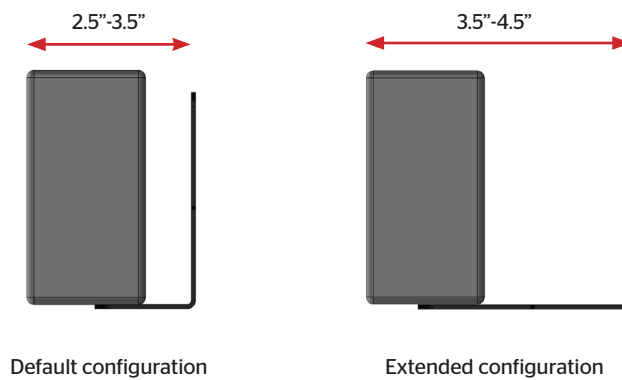
Mounting instructions

1.



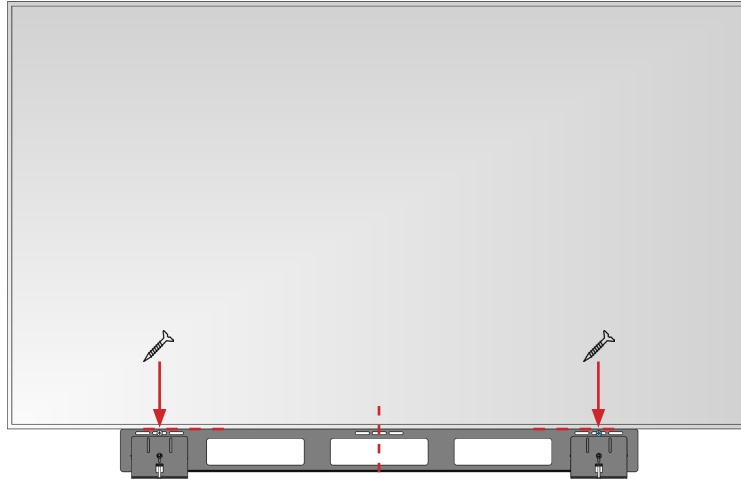
Mark location of middle and bottom of display as shown. Measure depth of mounted display.

2.



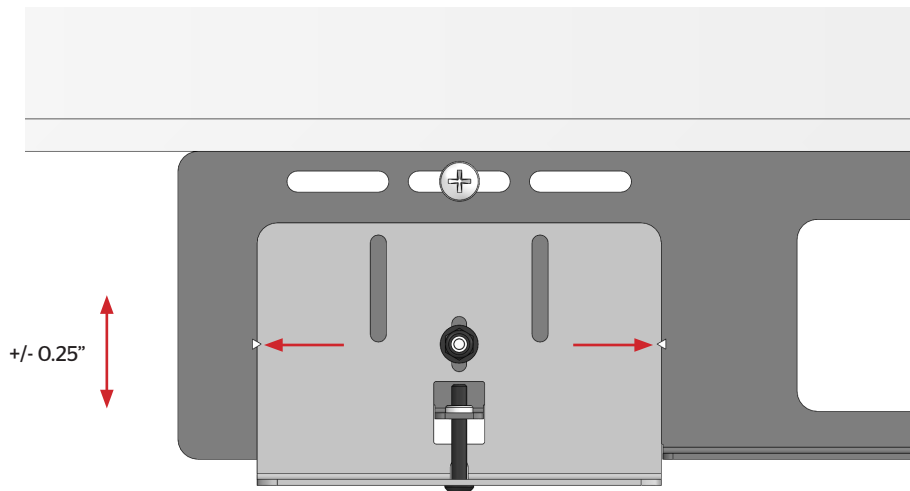
To change the wall mount bracket to the extended configuration, remove the lock nut and jack screw, and flip the bracket 90 degrees. Tighten the nut to allow a slight vertical sliding fit.

3.



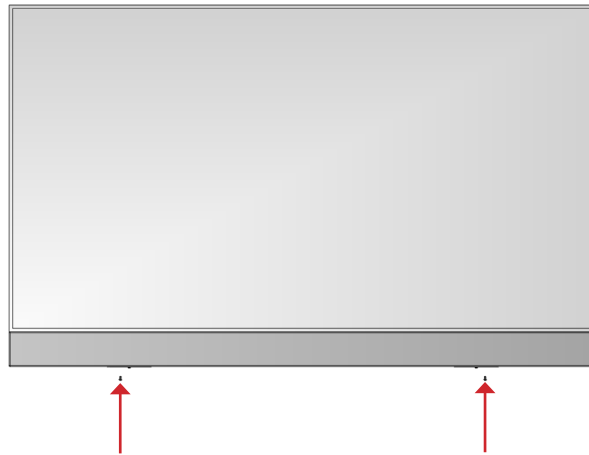
Align wall plate middle notch with middle of display and top edge of wall plate with bottom edge of display. Secure wall plate to the wall through the horizontal slots with appropriate anchors.

4.



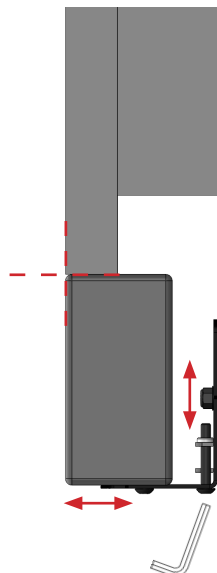
Adjust angle brackets vertically to lineup with marks on wall plate by turning the jack screws. After installing the speaker on the wall mount, the height can be adjusted up or down by +/- 0.25".

5.

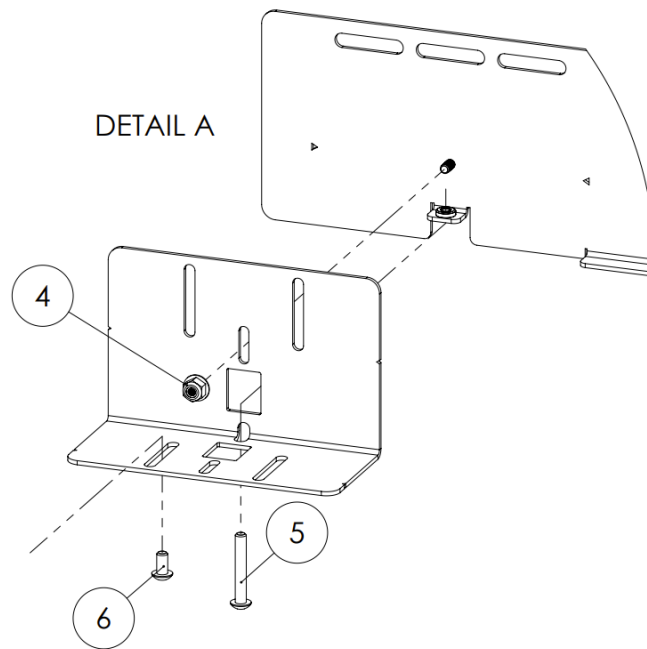
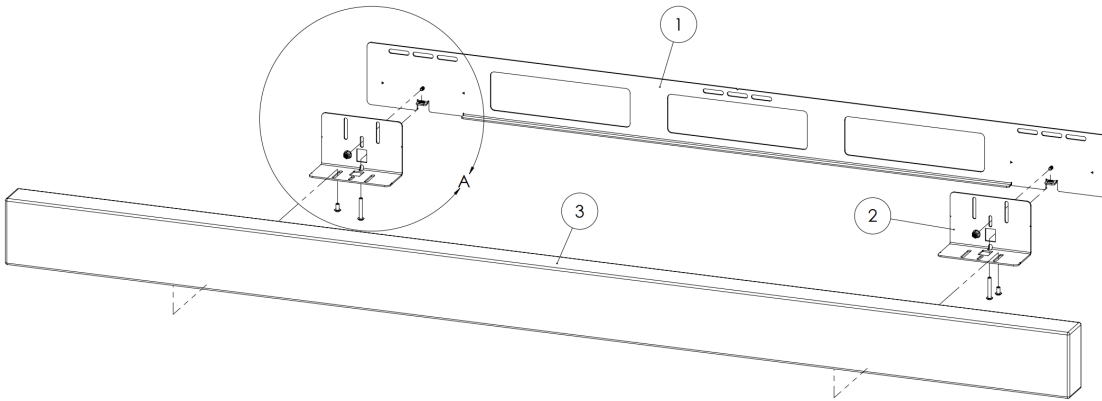


Carefully place the speaker on top of the angle brackets and secure through the outside slot using the #10-24 x 0.375" socket button head screws.

6.



Adjust speaker front to back to be flush with display and tighten speaker mounting screws. Use jack screws to close the vertical gap between the speaker and display. Do not tighten jack screws past their maximum travel otherwise damage may occur.



ITEM NO.	PART NUMBER	QTY.
1	Wall plate	1
2	Wall bracket	2
3	Horizontal speaker	1
4	Lock nut (#8-32)	2
5	Jack screw (#10-24x1.25")	2
6	Speaker screw (#10-24x0.37")	2